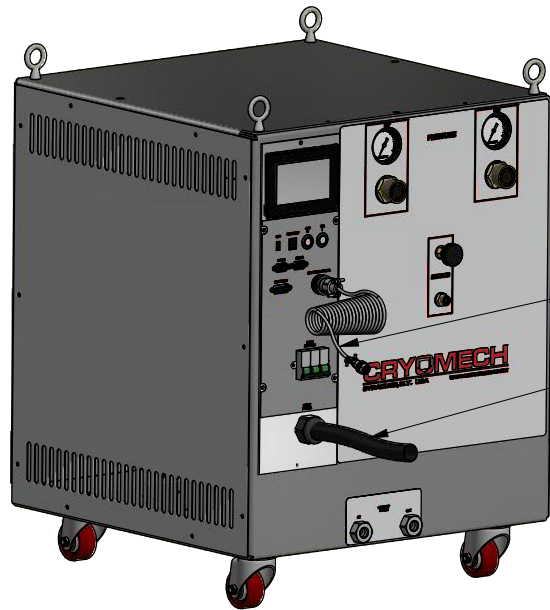
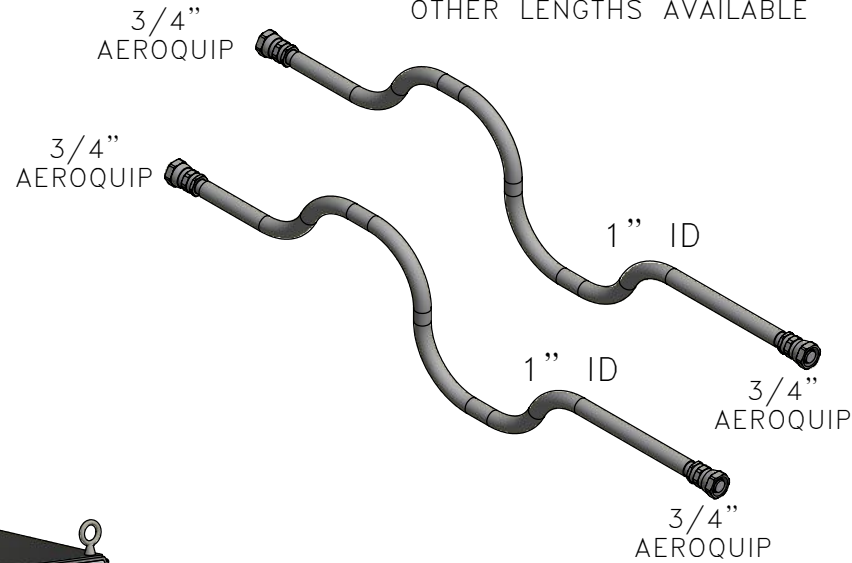


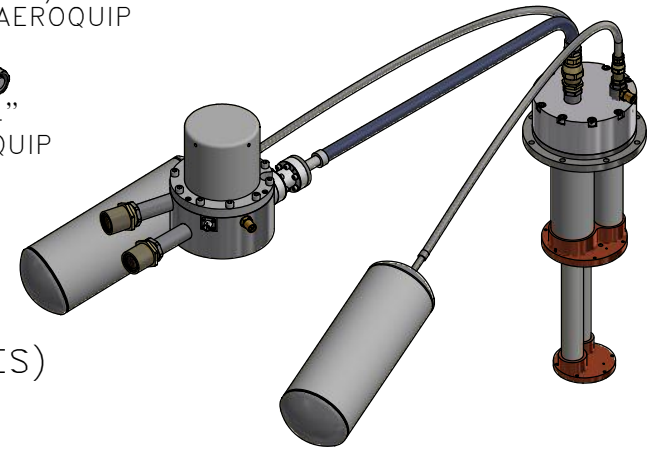
ALL INFORMATION CONTAINED IN THIS DOCUMENT SHOULD BE USED FOR REFERENCE PURPOSES ONLY & ARE SUBJECT TO CHANGE WITHOUT PRIOR NOTIFICATION. ALSO, THIS DOCUMENT IS CONSIDERED PROPRIETARY & THE SOLE PROPERTY OF CRYOMECH, INC. & SHOULD NOT BE REPRODUCED IN ANY MANNER WITHOUT PRIOR WRITTEN APPROVAL.

(2) LOW NOISE HELIUM FLEX LINES  
STANDARD LENGTH: 66 ft  
OTHER LENGTHS AVAILABLE

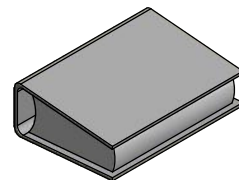


COLD HEAD MOTOR CORD  
(SAME LENGTH AS FLEX LINES)  
POWER CORD

CPA1114 COMPRESSOR PACKAGE  
(WATER COOLED)



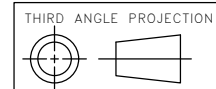
PT425-RM COLD HEAD



MANUAL



TOOL KIT



**CRYOMECH, INC.**  
SYRACUSE, NY U.S.A. WWW.CRYOMECH.COM

UNLESS OTHERWISE SPECIFIED: ALL DIMENSIONS ARE IN INCHES  
ALTERNATE UNITS IN "[ ]" ARE FOR REFERENCE ONLY  
TOLERANCES: X & X 1/2 = ±1/16, X.XXX = ±.005, X.XX = ±.01  
CIRCULAR RUNOUT .005 TIR, ANGULARITY .005, ALLOVER FINISH 25 Ra

|                                   |               |             |               |
|-----------------------------------|---------------|-------------|---------------|
| NAME: PT425-RM CPA1114 CRYOCOOLER |               |             |               |
| DWG #: PT425-RM CPA1114 SYSTEM    |               | SHT 1 OF 1  |               |
| MATERIAL: AS STATED               |               |             |               |
| DWN BY: CJS                       | DATE: 17FEB21 | SCALE: 1:4  | DWG SIZE: A   |
| 1ST CHK: PB                       | DATE: 01MAR21 | 2ND CHK: XH | DATE: 01MAR21 |
| CUST: -                           |               | BTA: -      |               |

|      |      |     |                 |         |
|------|------|-----|-----------------|---------|
| 4683 | -    | -   | INITIAL RELEASE | 17FEB21 |
| ECN  | ZONE | REV | DESCRIPTION     | DATE    |