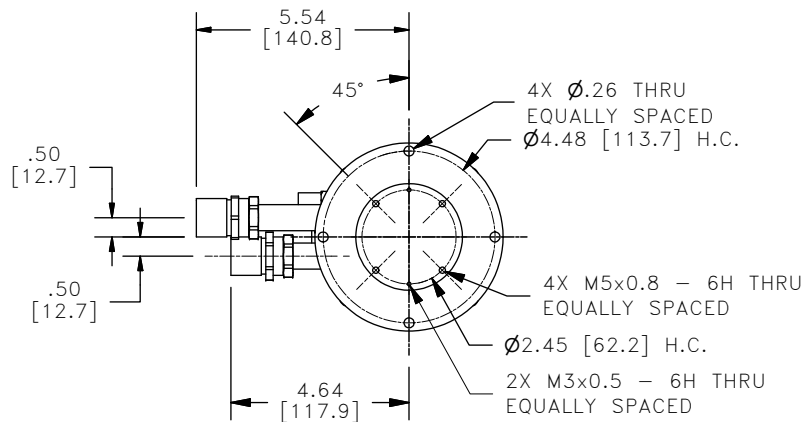
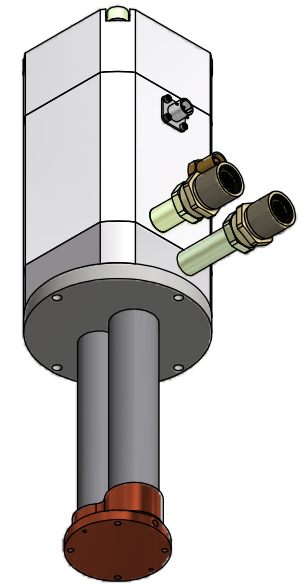
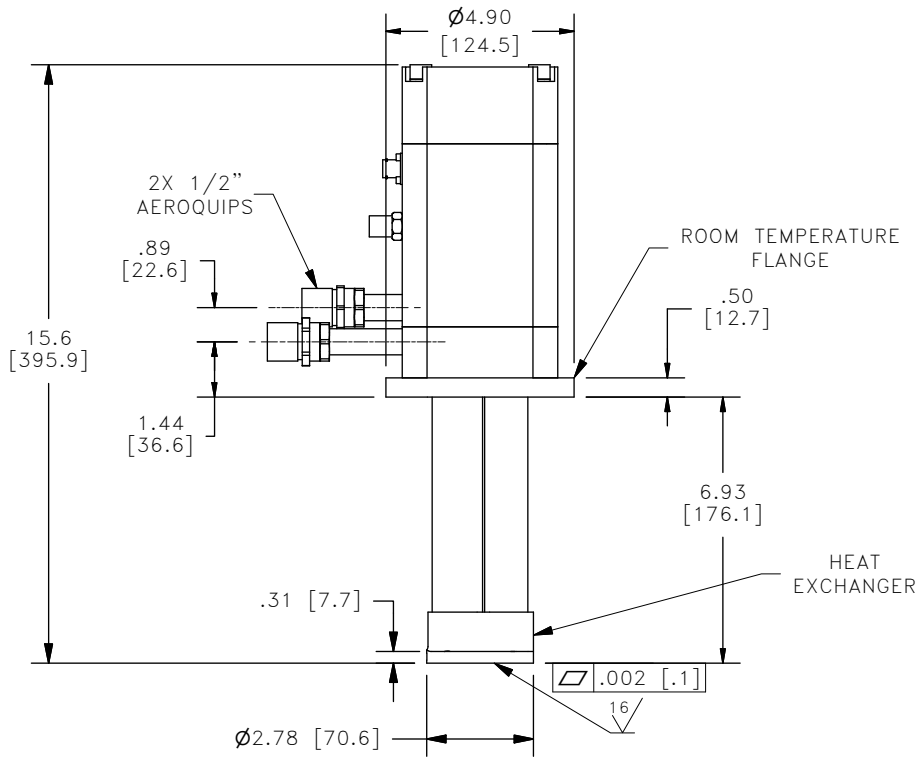


CH3D063 REV -

ALL INFORMATION CONTAINED IN THIS DOCUMENT SHOULD BE USED FOR REFERENCE PURPOSES ONLY & ARE SUBJECT TO CHANGE WITHOUT PRIOR NOTIFICATION. ALSO, THIS DOCUMENT IS CONSIDERED PROPRIETARY & THE SOLE PROPERTY OF CRYOMECH, INC. & SHOULD NOT BE REPRODUCED IN ANY MANNER WITHOUT PRIOR WRITTEN APPROVAL.



**\*\*SPECIAL NOTE: COLDHEAD MUST BE OPERATED COLD END DOWN\*\***

THIRD ANGLE PROJECTION		<b>CRYOMECH, INC</b> 113 FALSO DRIVE SYRACUSE, N.Y. 13211 Tel: (315)455-2555 Fax:(315)455-2544

ALL DIMENSIONS ARE IN INCHES  
 TOLERANCES: FRACTIONS ±1/32 DECIMALS XXX=±.005 XX=±.01 X=±.1  
 ANGLES ±.5° ALLOVER FINISH 25 Ra  
 CONCENTRICITY .005 TOTAL INDICATOR RUN OUT  
 PERPENDICULAR ±.002 (UNLESS OTHERWISE SPECIFIED)

NAME: CH3D063 OUTLINE DRAWING			
DWG #: CH3D063	SHT 1	OF	1
MATERIAL: 103-560			
DWN BY: ADF	DATE: 12DEC17	SCALE: 1 : 5	DWG SIZE: A
1ST CHK: EP	DATE: 20DEC17	2ND CHK: PB	DATE: 20DEC17
CUST: -		BTA: BTA-CH30060_63	

THIS DRAWING SUPERSEDES CH3C063

4125	-	-	INITIAL RELEASE	12DEC17
ECN	ZONE	REV	DESCRIPTION	DATE