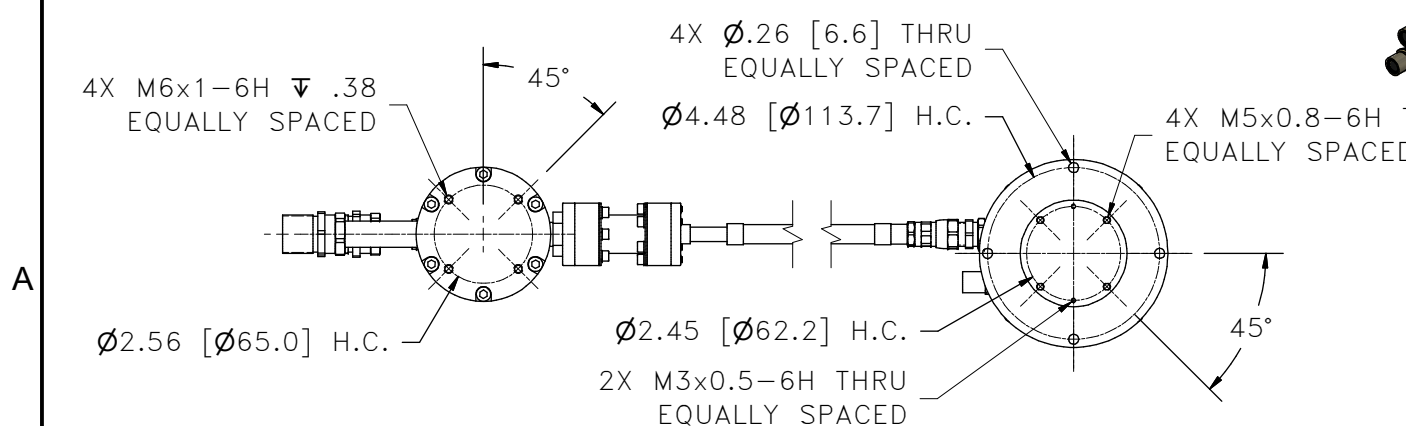
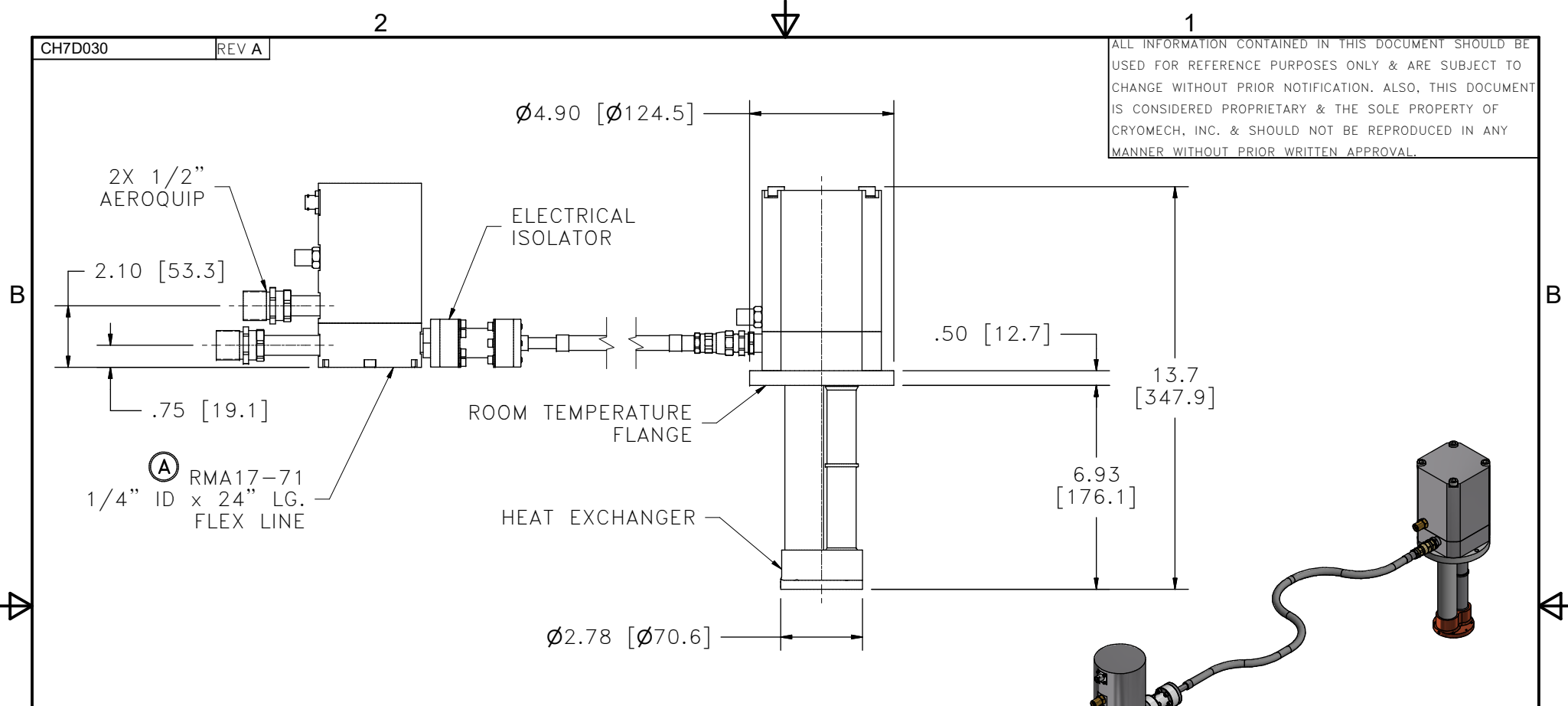


ALL INFORMATION CONTAINED IN THIS DOCUMENT SHOULD BE USED FOR REFERENCE PURPOSES ONLY & ARE SUBJECT TO CHANGE WITHOUT PRIOR NOTIFICATION. ALSO, THIS DOCUMENT IS CONSIDERED PROPRIETARY & THE SOLE PROPERTY OF CRYOMECH, INC. & SHOULD NOT BE REPRODUCED IN ANY MANNER WITHOUT PRIOR WRITTEN APPROVAL.



****SPECIAL NOTE: COLDHEAD MUST BE OPERATED COLD END DOWN****

THIRD ANGLE PROJECTION		CRYOMECH, INC	
		113 FALSO DRIVE SYRACUSE, N.Y. 13211 Tel: (315)455-2555 Fax:(315)455-2544	
ALL DIMENSIONS ARE IN INCHES TOLERANCES: FRACTIONS ±1/32 DECIMALS XXX=±.005 XX=±.01 X=±.1 ANGLES ±.5° ALLOVER FINISH 25 Ra CONCENTRICITY .005 TOTAL INDICATOR RUN OUT PERPENDICULAR ±.002 (UNLESS OTHERWISE SPECIFIED)			
NAME: CH7D030 OUTLINE DRAWING			
DWG #: CH7D030		SHT 1 OF 1	
MATERIAL: 103-532			
4295	-	A	REMOTE MOTOR LINE WAS 36", NOW 24"
4122	-	-	INITIAL RELEASE
ECN	ZONE	REV	DESCRIPTION
DWN BY: CJS		DATE: 05DEC17	SCALE: 1/2
1ST CHK: EP		DATE: 10JAN18	2ND CHK: PB
CUST: -		DATE: 10JAN18	
BTA: BTA-CH30030		DWG SIZE: A	

THIS DRAWING SUPERSEDES CH7C030

4295	-	A	REMOTE MOTOR LINE WAS 36", NOW 24"	03OCT18
4122	-	-	INITIAL RELEASE	05DEC17
ECN	ZONE	REV	DESCRIPTION	DATE