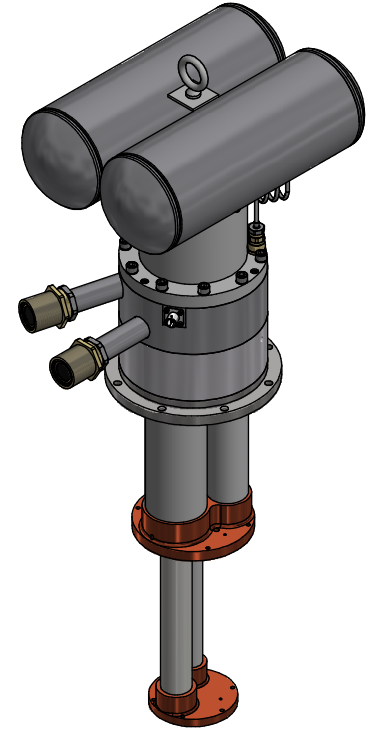
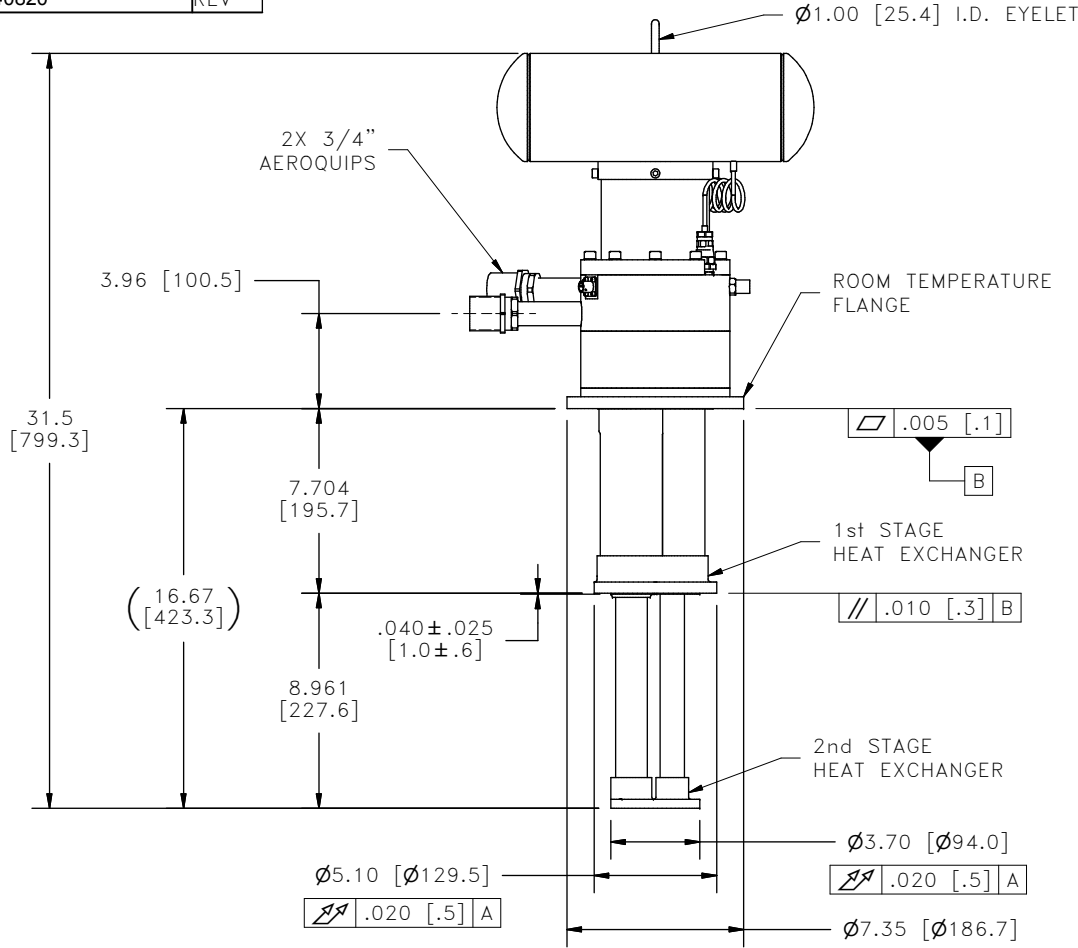


1  
ALL INFORMATION CONTAINED IN THIS DOCUMENT SHOULD BE USED FOR REFERENCE PURPOSES ONLY & ARE SUBJECT TO CHANGE WITHOUT PRIOR NOTIFICATION. ALSO, THIS DOCUMENT IS CONSIDERED PROPRIETARY & THE SOLE PROPERTY OF CRYOMECH, INC. & SHOULD NOT BE REPRODUCED IN ANY MANNER WITHOUT PRIOR WRITTEN APPROVAL.

B

B



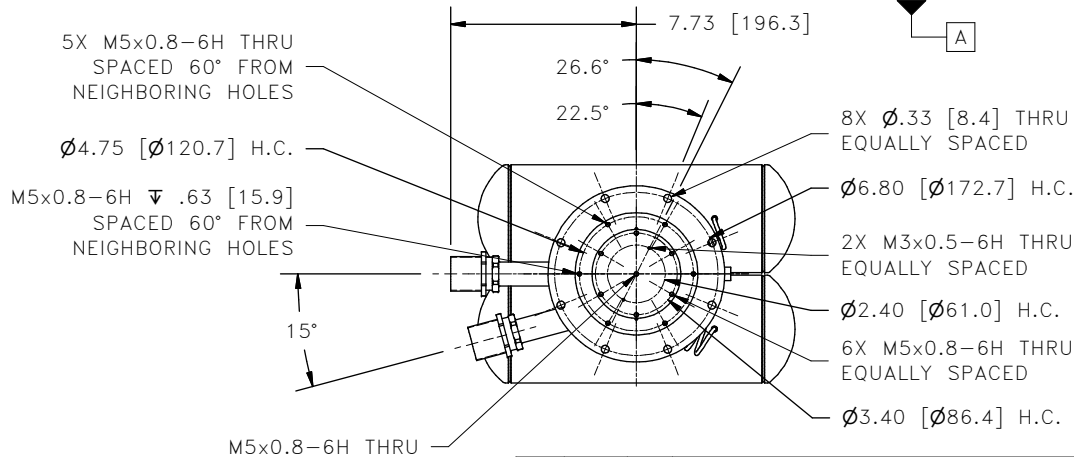
A

A

\*\* SPECIAL NOTE: COLD HEAD MUST BE OPERATED COLD END DOWN \*\*

A

A



THIRD ANGLE PROJECTION

**CRYOMECH, INC**  
113 FALSO DRIVE SYRACUSE, N.Y. 13211  
Tel: (315)455-2555 Fax:(315)455-2544

ALL DIMENSIONS ARE IN INCHES  
TOLERANCES: FRACTIONS ±1/32 DECIMALS XXX=±.005 XX=±.01 X=±.1  
ANGLES ±.5° ALLOVER FINISH 25 Ra  
CONCENTRICITY .005 TOTAL INDICATOR RUN OUT  
PERPENDICULAR ±.002 (UNLESS OTHERWISE SPECIFIED)

NAME: PT820 OUTLINE DRAWING			
DWG #: CH40820	SHT 1 OF 1		
MATERIAL: 103-616			
DWN BY: ADF	DATE: 10JUL18	SCALE: 1/8	DWG SIZE: A
1ST CHK: TJH	DATE: 11JUL18	2ND CHK: PB	DATE: 11JUL18
CUST: -		BTA: BTA-CH40820	

4254	-	-	INITIAL RELEASE	10JUL18
ECN	ZONE	REV	DESCRIPTION	DATE