

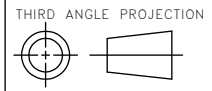
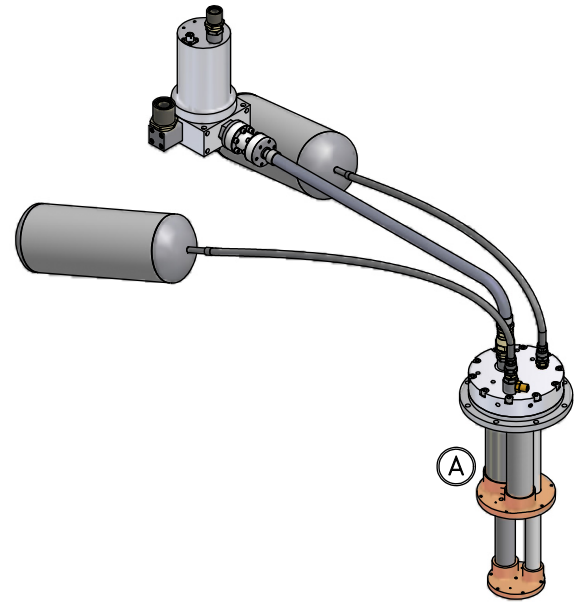
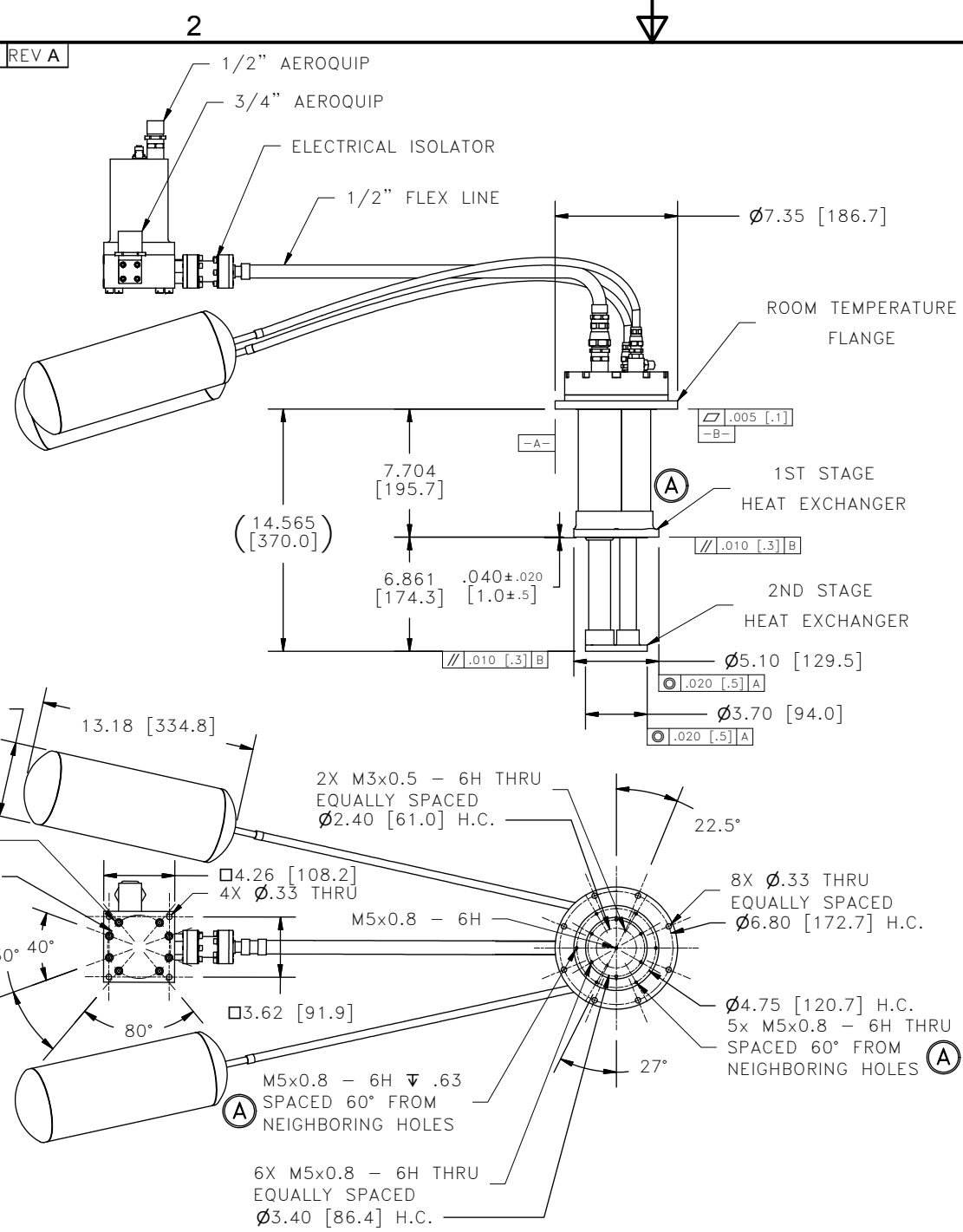
1
ALL INFORMATION CONTAINED IN THIS DOCUMENT SHOULD BE USED FOR REFERENCE PURPOSES ONLY & ARE SUBJECT TO CHANGE WITHOUT PRIOR NOTIFICATION. ALSO, THIS DOCUMENT IS CONSIDERED PROPRIETARY & THE SOLE PROPERTY OF CRYOMECH, INC. & SHOULD NOT BE REPRODUCED IN ANY MANNER WITHOUT PRIOR WRITTEN APPROVAL.

B

B

A

A



CRYOMECH, INC
113 FALSO DRIVE SYRACUSE, N.Y. 13211
Tel: (315)455-2555 Fax:(315)455-2544

ALL DIMENSIONS ARE IN INCHES
TOLERANCES: FRACTIONS ±1/32 DECIMALS XXX=±.005 XX=±.01 X=±.1
ANGLES ±.5° ALLOVER FINISH 25 Ra
CONCENTRICITY .005 TOTAL INDICATOR RUN OUT
PERPENDICULAR ±.002 (UNLESS OTHERWISE SPECIFIED)

NAME: PT810-RM COLD HEAD OUTLINE
DWG #: CH60810 SHT 1 OF 1
MATERIAL: 103-81

2286	-	A	UPDATED BTA W/ 1pc 1st STAGE HT EX	04NOV10	DWN BY: AO	DATE: 21SEP05	SCALE: 1:10	DWG SIZE: A
1412	-	-	INITIAL RELEASE	25JUL07	1ST CHK: AO	DATE: 7/25/07	2ND CHK: BZ	DATE: 8/5/07
ECN	ZONE	REV	DESCRIPTION	DATE	CUST:	BTA: BTA-PT810		

2

1