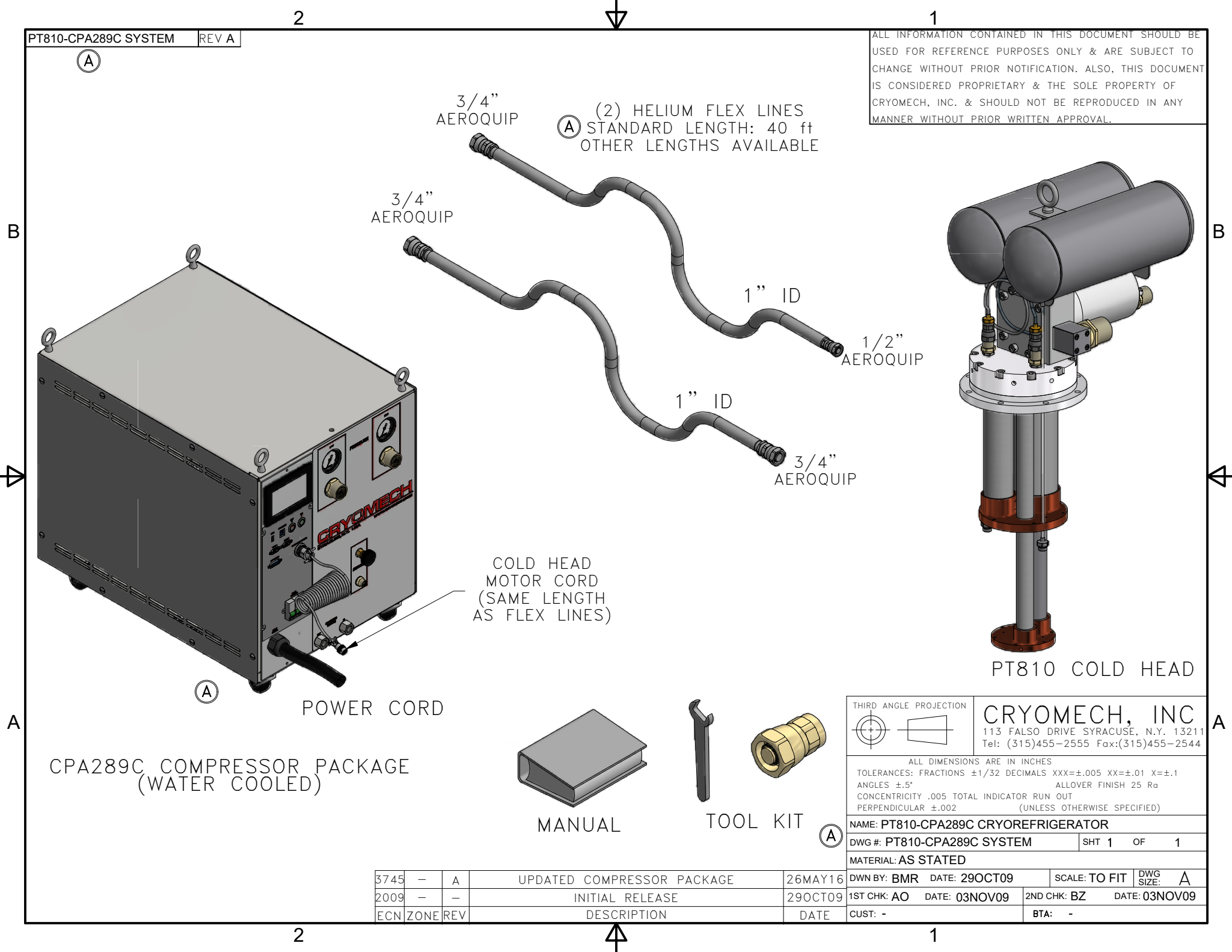


ALL INFORMATION CONTAINED IN THIS DOCUMENT SHOULD BE USED FOR REFERENCE PURPOSES ONLY & ARE SUBJECT TO CHANGE WITHOUT PRIOR NOTIFICATION. ALSO, THIS DOCUMENT IS CONSIDERED PROPRIETARY & THE SOLE PROPERTY OF CRYOMECH, INC. & SHOULD NOT BE REPRODUCED IN ANY MANNER WITHOUT PRIOR WRITTEN APPROVAL.



THIRD ANGLE PROJECTION

CRYOMECH, INC
 113 FALSO DRIVE SYRACUSE, N.Y. 13211
 Tel: (315)455-2555 Fax:(315)455-2544

ALL DIMENSIONS ARE IN INCHES
 TOLERANCES: FRACTIONS ±1/32 DECIMALS XXX=±.005 XX=±.01 X=±.1
 ANGLES ±.5° ALLOVER FINISH 25 Ra
 CONCENTRICITY .005 TOTAL INDICATOR RUN OUT
 PERPENDICULAR ±.002 (UNLESS OTHERWISE SPECIFIED)

NAME: PT810-CPA289C CRYOREFRIGERATOR
 DWG #: PT810-CPA289C SYSTEM SHT 1 OF 1
 MATERIAL: AS STATED

DWN BY: BMR DATE: 29OCT09 SCALE: TO FIT DWG SIZE: A
 1ST CHK: AO DATE: 03NOV09 2ND CHK: BZ DATE: 03NOV09
 CUST: - BTA: -

ECN	ZONE	REV	DESCRIPTION	DATE
3745	-	A	UPDATED COMPRESSOR PACKAGE	26MAY16
2009	-	-	INITIAL RELEASE	29OCT09