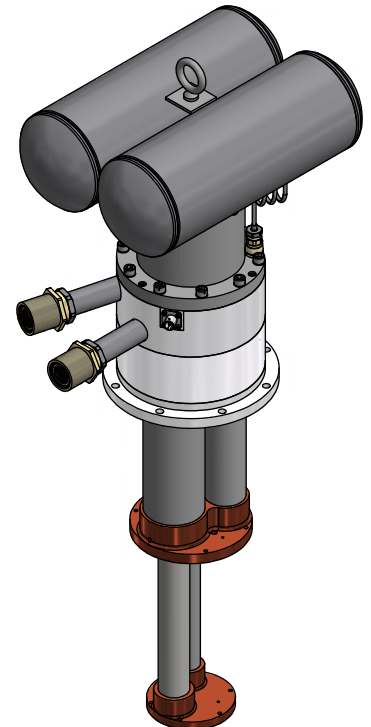
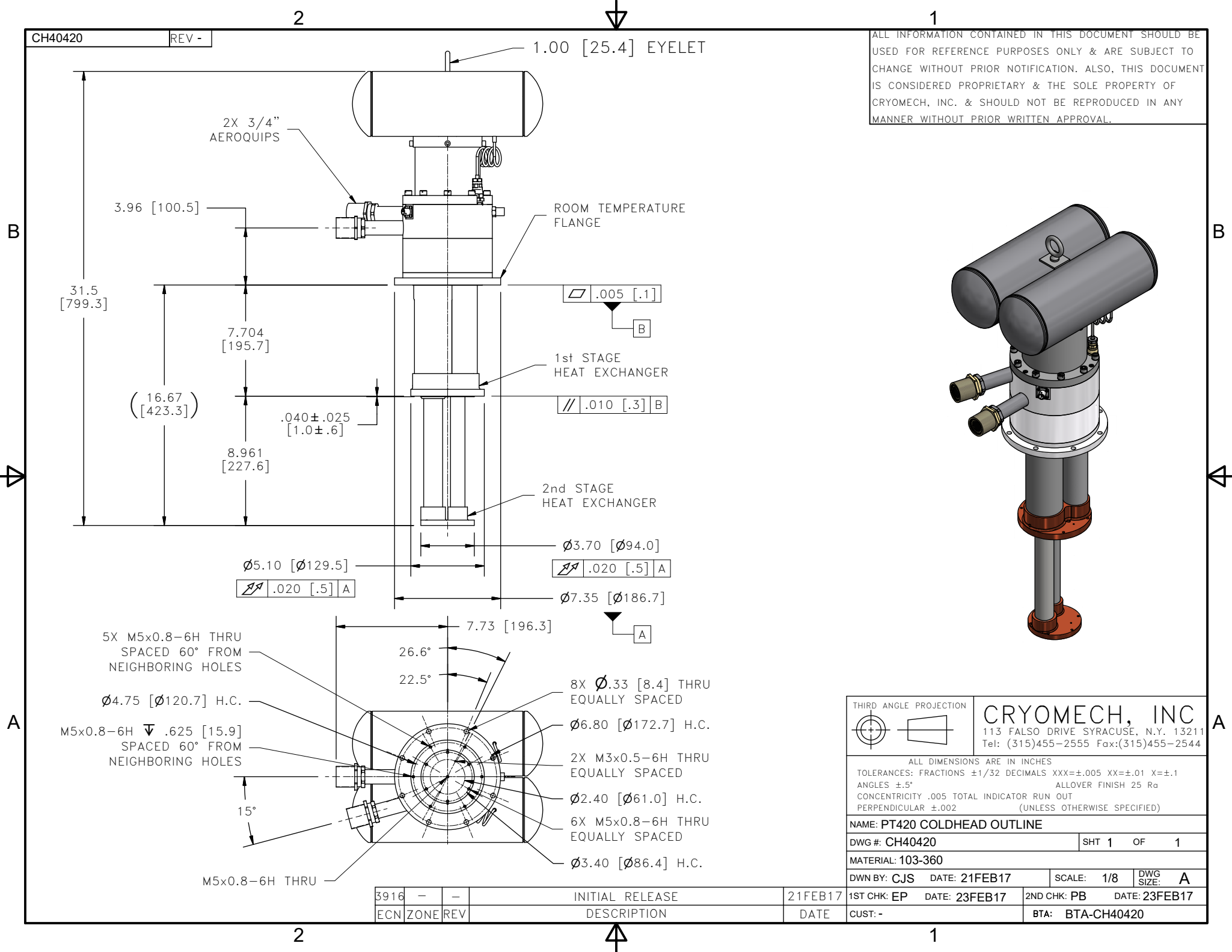


1
ALL INFORMATION CONTAINED IN THIS DOCUMENT SHOULD BE USED FOR REFERENCE PURPOSES ONLY & ARE SUBJECT TO CHANGE WITHOUT PRIOR NOTIFICATION. ALSO, THIS DOCUMENT IS CONSIDERED PROPRIETARY & THE SOLE PROPERTY OF CRYOMECH, INC. & SHOULD NOT BE REPRODUCED IN ANY MANNER WITHOUT PRIOR WRITTEN APPROVAL.



THIRD ANGLE PROJECTION

CRYOMECH, INC
113 FALSO DRIVE SYRACUSE, N.Y. 13211
Tel: (315)455-2555 Fax:(315)455-2544

ALL DIMENSIONS ARE IN INCHES
TOLERANCES: FRACTIONS ±1/32 DECIMALS XXX=±.005 XX=±.01 X=±.1
ANGLES ±.5° ALLOVER FINISH 25 Ra
CONCENTRICITY .005 TOTAL INDICATOR RUN OUT
PERPENDICULAR ±.002 (UNLESS OTHERWISE SPECIFIED)

NAME: PT420 COLDHEAD OUTLINE
DWG #: CH40420 SHT 1 OF 1
MATERIAL: 103-360
DWN BY: CJS DATE: 21FEB17 SCALE: 1/8 DWG SIZE: A
1ST CHK: EP DATE: 23FEB17 2ND CHK: PB DATE: 23FEB17
CUST: - BTA: BTA-CH40420

ECN	ZONE	REV	DESCRIPTION	DATE
3916	-	-	INITIAL RELEASE	21FEB17