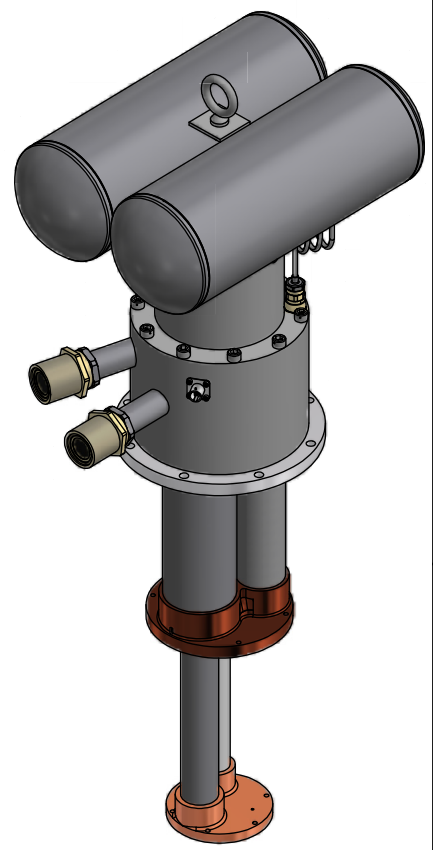
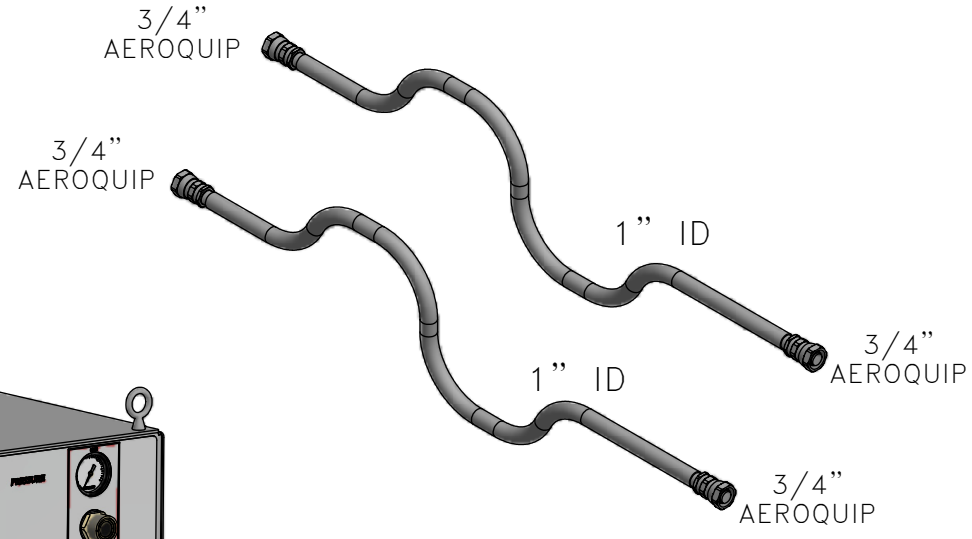
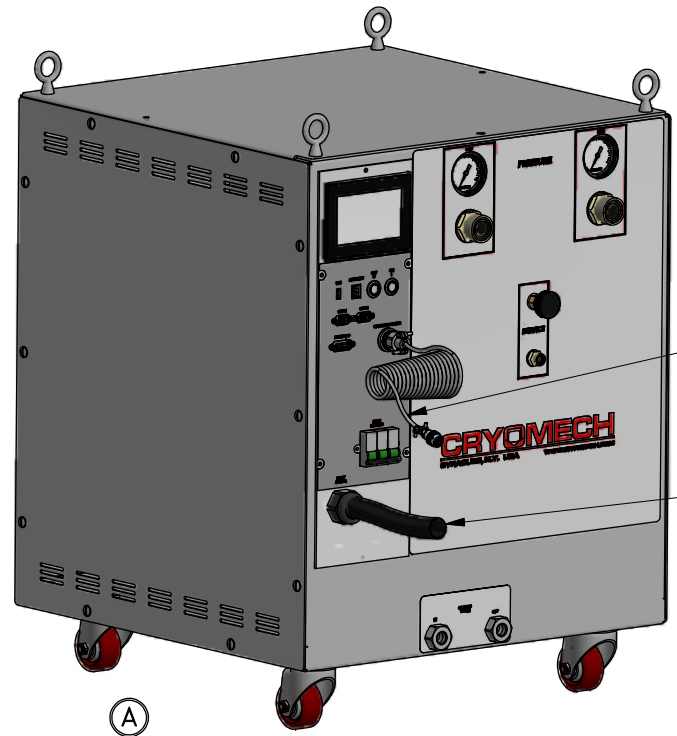


ALL INFORMATION CONTAINED IN THIS DOCUMENT SHOULD BE USED FOR REFERENCE PURPOSES ONLY & ARE SUBJECT TO CHANGE WITHOUT PRIOR NOTIFICATION. ALSO, THIS DOCUMENT IS CONSIDERED PROPRIETARY & THE SOLE PROPERTY OF CRYOMECH, INC. & SHOULD NOT BE REPRODUCED IN ANY MANNER WITHOUT PRIOR WRITTEN APPROVAL.

(2) LOW NOISE HELIUM FLEX LINES
 (A) STANDARD LENGTH: 66 ft
 OTHER LENGTHS AVAILABLE



PT415 COLD HEAD

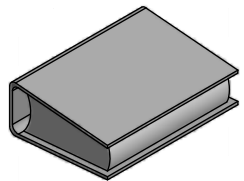


CPA1110 COMPRESSOR PACKAGE
 (WATER COOLED)

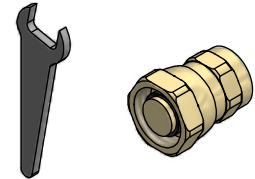
COLD HEAD
 MOTOR CORD
 (SAME LENGTH
 AS FLEX LINES)

POWER CORD

MANUAL



TOOL KIT



THIRD ANGLE PROJECTION		CRYOMECH, INC	
		113 FALSO DRIVE SYRACUSE, N.Y. 13211 Tel: (315)455-2555 Fax:(315)455-2544	
ALL DIMENSIONS ARE IN INCHES			
TOLERANCES: FRACTIONS ±1/32 DECIMALS .XXX=±.005 .XX=±.01 .X=±.1			
ANGLES ±.5° ALLOVER FINISH 25 Ra			
CONCENTRICITY .005 TOTAL INDICATOR RUN OUT			
PERPENDICULAR ±.002 (UNLESS OTHERWISE SPECIFIED)			
NAME: PT415 CPA1110 CRYOREFRIGERATOR			
DWG #: PT415 CPA1110 SYSTEM		SHT 1 OF 1	
MATERIAL: AS STATED			
3745	-	A	UPDATED COMPRESSOR PACKAGE
2630	-	-	INITIAL RELEASE
ECN	ZONE	REV	DESCRIPTION
25MAY16			DATE
13JUN11			DATE
DWN BY: BMR	DATE: 13JUN11	SCALE: TO FIT	DWG SIZE: A
1ST CHK: BS	DATE: 17JUN11	2ND CHK: PB	DATE: 17JUN11
CUST: -		BTA: -	

3745	-	A	UPDATED COMPRESSOR PACKAGE	25MAY16
2630	-	-	INITIAL RELEASE	13JUN11
ECN	ZONE	REV	DESCRIPTION	DATE

