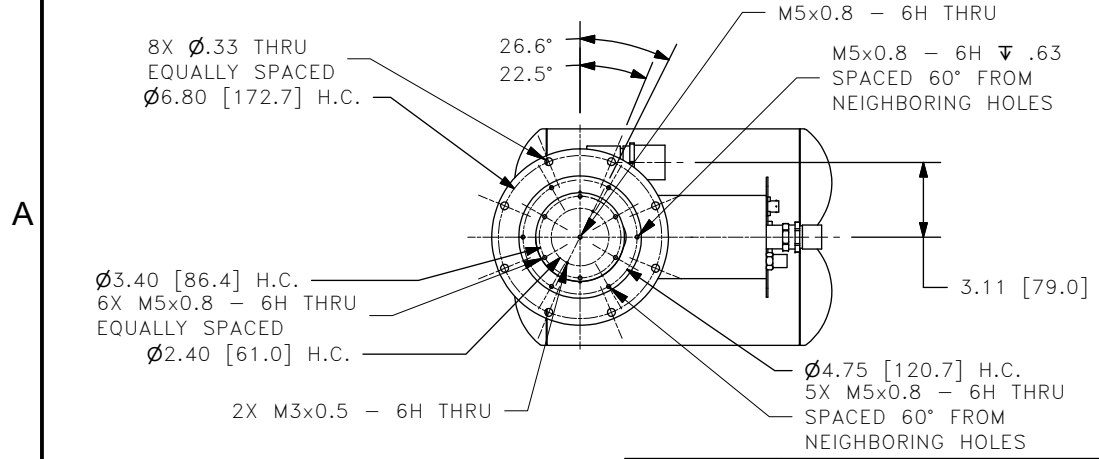
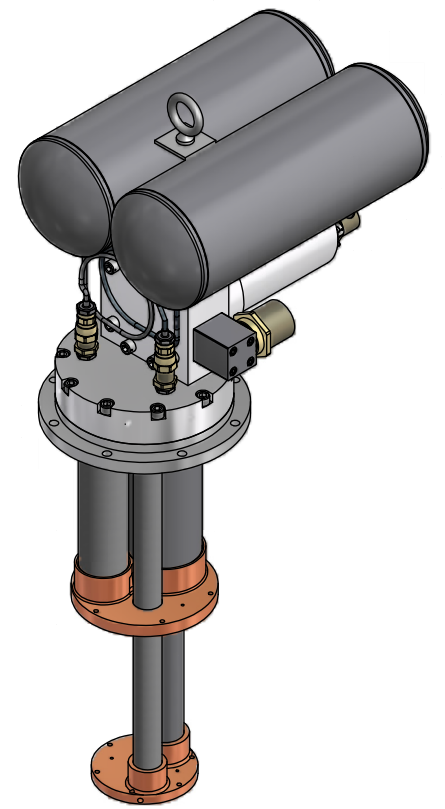
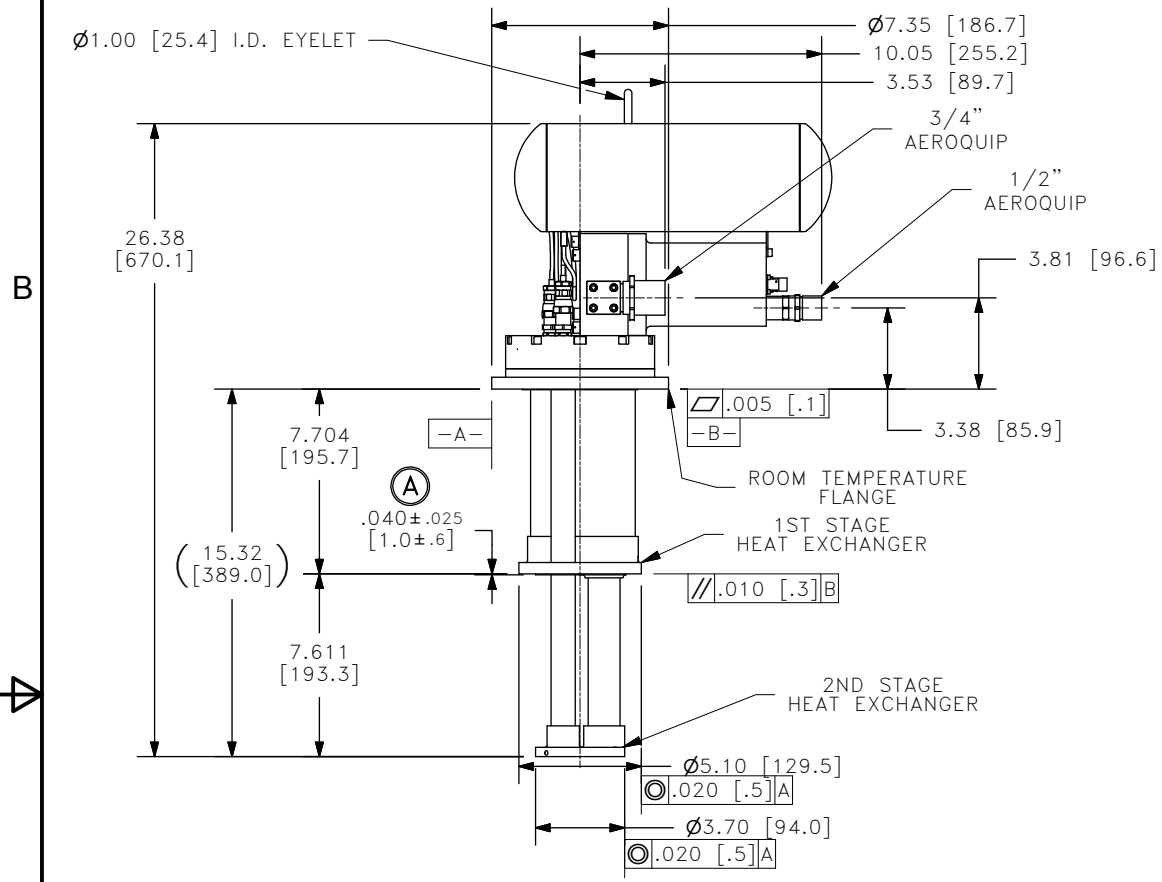


ALL INFORMATION CONTAINED IN THIS DOCUMENT SHOULD BE USED FOR REFERENCE PURPOSES ONLY & ARE SUBJECT TO CHANGE WITHOUT PRIOR NOTIFICATION. ALSO, THIS DOCUMENT IS CONSIDERED PROPRIETARY & THE SOLE PROPERTY OF CRYOMECH, INC. & SHOULD NOT BE REPRODUCED IN ANY MANNER WITHOUT PRIOR WRITTEN APPROVAL.



****SPECIAL NOTE: COLD HEAD MUST BE OPERATED COLD END DOWN****

THIRD ANGLE PROJECTION		CRYOMECH, INC 113 FALSO DRIVE SYRACUSE, N.Y. 13211 Tel: (315)455-2555 Fax:(315)455-2544
------------------------	--	--

ALL DIMENSIONS ARE IN INCHES
 TOLERANCES: FRACTIONS ±1/32 DECIMALS XXX=±.005 XX =±.01
 ANGLES ±.5° ALLOVER FINISH 25 R_a
 CONCENTRICITY .005 TOTAL INDICATOR RUN OUT
 PERPENDICULAR ±.002 (UNLESS OTHERWISE SPECIFIED)

NAME: PT410 COLDHEAD OUTLINE
 DWG #: CH40410 SHT 1 OF 1
 MATERIAL: 103-21

THIS DRAWING SUPERSEDES CHPT410

2090	B2	A	.040 WAS .025	07APR10	DWN BY: AO	DATE: 29DEC03	SCALE: 1:8	DWG SIZE: A
1100	-	-	INITIAL RELEASE	25MAY06	1ST CHK: BAZ	DATE: 30JAN04	2ND CHK: CW	DATE: 30JAN04
ECN	ZONE	REV	DESCRIPTION	DATE	CUST:	BTA: BTA-CH40410		