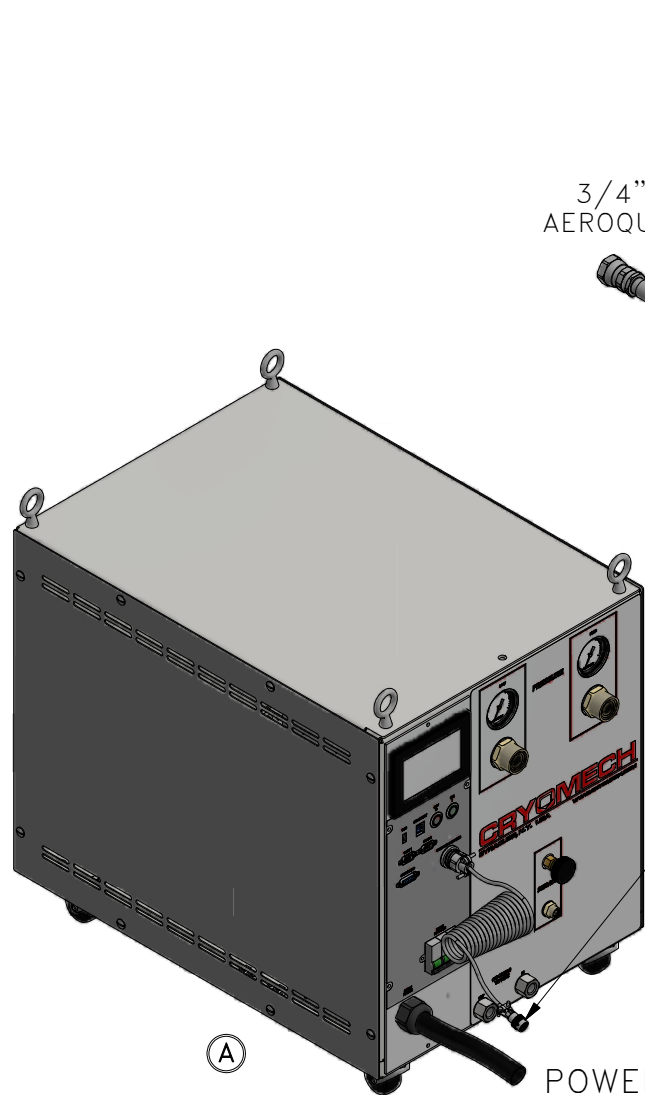
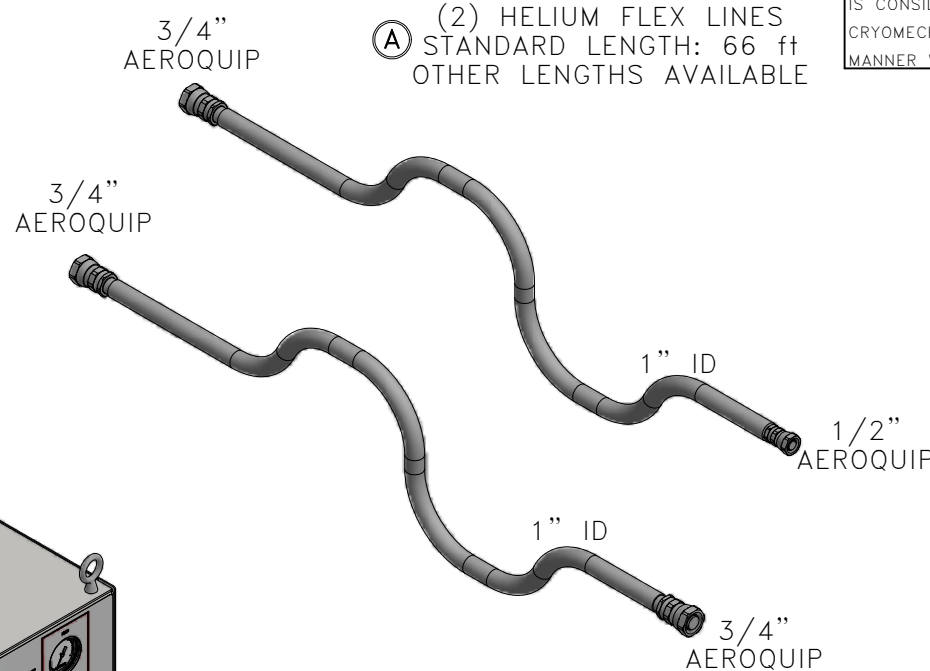


ALL INFORMATION CONTAINED IN THIS DOCUMENT SHOULD BE USED FOR REFERENCE PURPOSES ONLY & ARE SUBJECT TO CHANGE WITHOUT PRIOR NOTIFICATION. ALSO, THIS DOCUMENT IS CONSIDERED PROPRIETARY & THE SOLE PROPERTY OF CRYOMECH, INC. & SHOULD NOT BE REPRODUCED IN ANY MANNER WITHOUT PRIOR WRITTEN APPROVAL.



CPA289C COMPRESSOR PACKAGE (WATER COOLED)



(2) HELIUM FLEX LINES
STANDARD LENGTH: 66 ft
OTHER LENGTHS AVAILABLE

3/4" AEROQUIP

3/4" AEROQUIP

1" ID

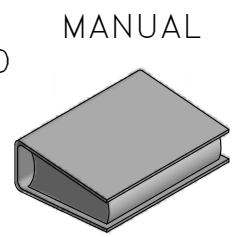
1" ID

1/2" AEROQUIP

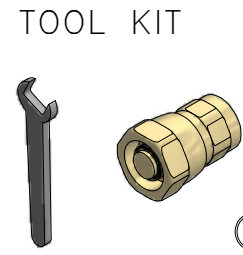
3/4" AEROQUIP

COLD HEAD MOTOR CORD (SAME LENGTH AS FLEX LINES)

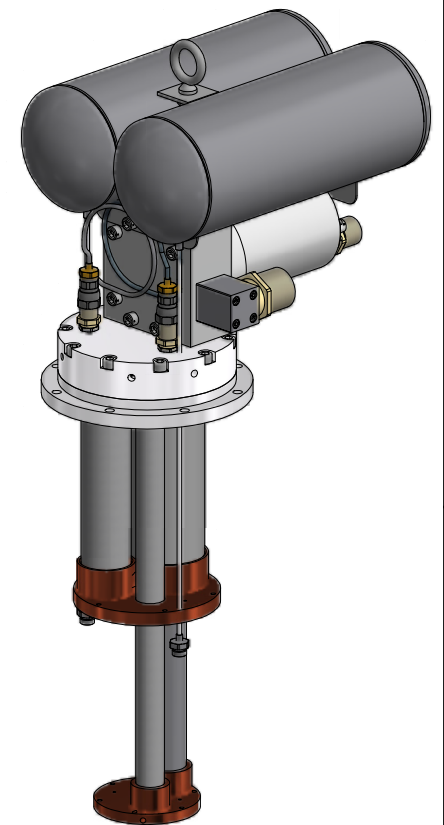
POWER CORD



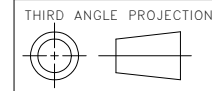
MANUAL



TOOL KIT



PT410 COLD HEAD



THIRD ANGLE PROJECTION

CRYOMECH, INC
113 FALSO DRIVE SYRACUSE, N.Y. 13211
Tel: (315)455-2555 Fax:(315)455-2544

ALL DIMENSIONS ARE IN INCHES
TOLERANCES: FRACTIONS ±1/32 DECIMALS XXX=±.005 XX=±.01 X=±.1
ANGLES ±.5° ALLOVER FINISH 25 Ra
CONCENTRICITY .005 TOTAL INDICATOR RUN OUT
PERPENDICULAR ±.002 (UNLESS OTHERWISE SPECIFIED)

NAME: PT410-CPA289C CRYOREFRIGERATOR

DWG #: PT410-CPA289C SYSTEM SHT 1 OF 1

MATERIAL: AS STATED

DWN BY: BMR DATE: 14AUG09 SCALE: TO FIT DWG SIZE: A

1ST CHK: AO DATE: 14AUG09 2ND CHK: CW DATE: 14AUG09

CUST: - BTA: -

ECN	ZONE	REV	DESCRIPTION	DATE
3745	-	A	UPDATED COMPRESSOR PACKAGE	26MAY16
1948	-	-	INITIAL RELEASE	14AUG09