

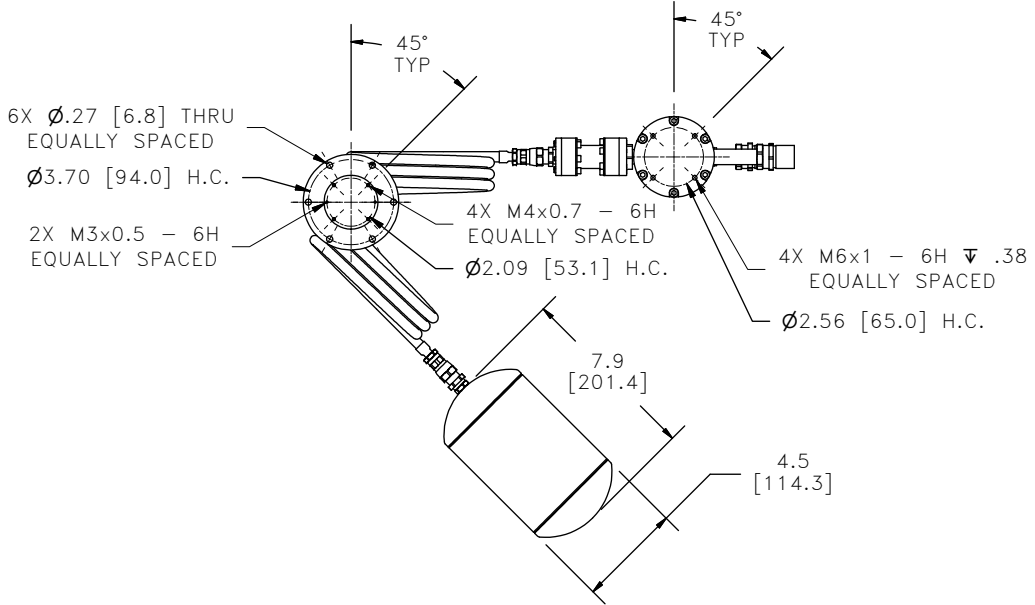
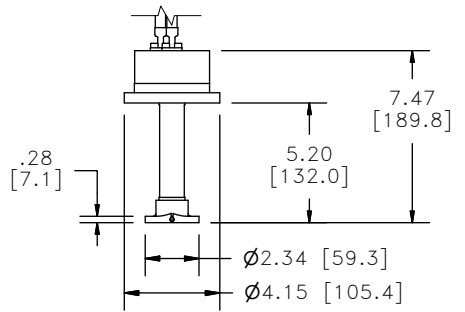
CH7C010 REV -

2X 2 METER
1/4" FLEX LINES

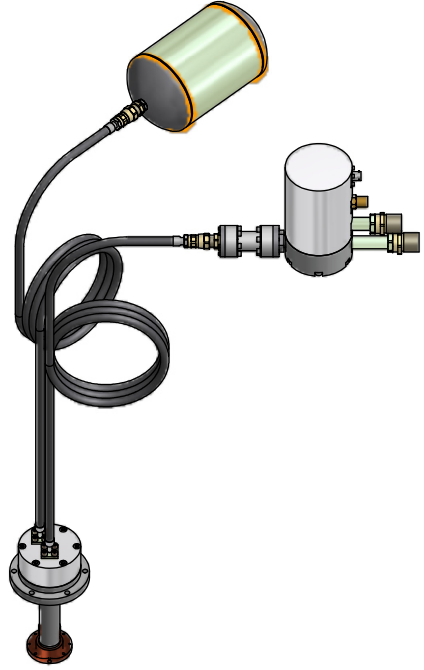
EXTERNAL
RESERVOIR

2X 1/2"
AEROQUIPS

1/4" ELECTRICAL ISOLATOR



1
ALL INFORMATION CONTAINED IN THIS DOCUMENT SHOULD BE USED FOR REFERENCE PURPOSES ONLY & ARE SUBJECT TO CHANGE WITHOUT PRIOR NOTIFICATION. ALSO, THIS DOCUMENT IS CONSIDERED PROPRIETARY & THE SOLE PROPERTY OF CRYOMECH, INC. & SHOULD NOT BE REPRODUCED IN ANY MANNER WITHOUT PRIOR WRITTEN APPROVAL.



SPECIAL NOTE: COLD HEAD MUST BE OPERATED COLD END DOWN

THIRD ANGLE PROJECTION

CRYOMECH, INC
113 FALSO DRIVE SYRACUSE, N.Y. 13211
Tel: (315)455-2555 Fax:(315)455-2544

ALL DIMENSIONS ARE IN INCHES
TOLERANCES: FRACTIONS ±1/32 DECIMALS XXX=±.005 XX=±.01 X=±.1
ANGLES ±.5° ALLOVER FINISH 25 Ra
CONCENTRICITY .005 TOTAL INDICATOR RUN OUT
PERPENDICULAR ±.002 (UNLESS OTHERWISE SPECIFIED)

NAME: CH7C010 COLDHEAD OUTLINE			
DWG #: CH7C010		SHT 1 OF 1	
MATERIAL: 103-85			
DWN BY: ADF	DATE: 30DEC14	SCALE: .12	DWG SIZE: A
1ST CHK: PB	DATE: 16JAN15	2ND CHK: BZ	DATE: 16JAN15
CUST: -		BTA: -	

3476	-	-	INITIAL RELEASE	30DEC14
ECN	ZONE	REV	DESCRIPTION	DATE