

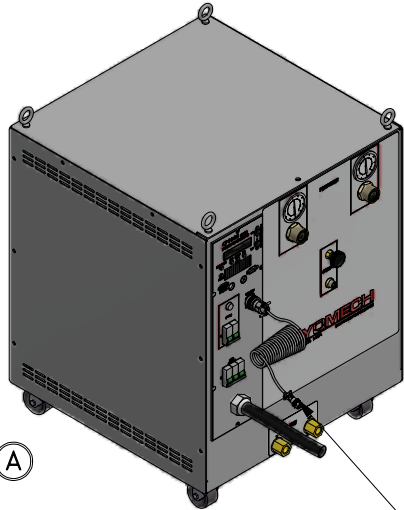
(4) HELIUM FLEX LINES (2) 3/4" ID
(2) 1" ID
3/4" AEROQUIPS ON ALL FLEX LINES
STANDARD LENGTH: 15ft
LONGER LENGTHS AVAILABLE

NITROGEN GENERATOR ASSEMBLY
(STAND OPTIONAL)

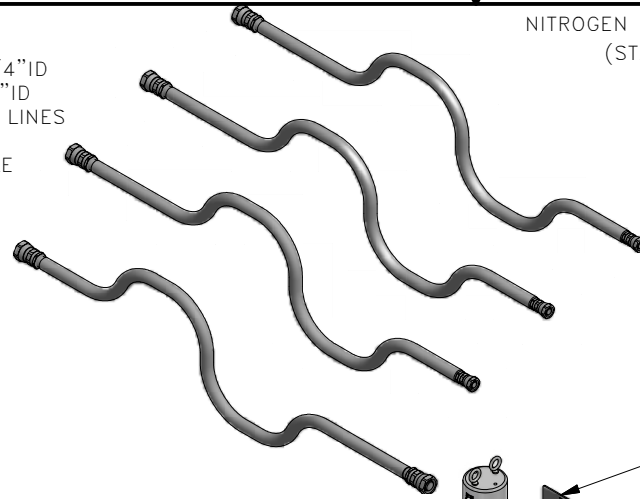
ALL INFORMATION CONTAINED IN THIS DOCUMENT SHOULD BE USED FOR REFERENCE PURPOSES ONLY & ARE SUBJECT TO CHANGE WITHOUT PRIOR NOTIFICATION. ALSO, THIS DOCUMENT IS CONSIDERED PROPRIETARY & THE SOLE PROPERTY OF CRYOMECH, INC. & SHOULD NOT BE REPRODUCED IN ANY MANNER WITHOUT PRIOR WRITTEN APPROVAL.

B

B



CP1114 COMPRESSOR PACKAGE
(WATER COOLED ONLY)



DIGITAL LEVEL INDICATOR

NITROGEN FLEX LINE 1/4" ID
STANDARD LENGTH: 10ft
LONGER LENGTHS AVAILABLE

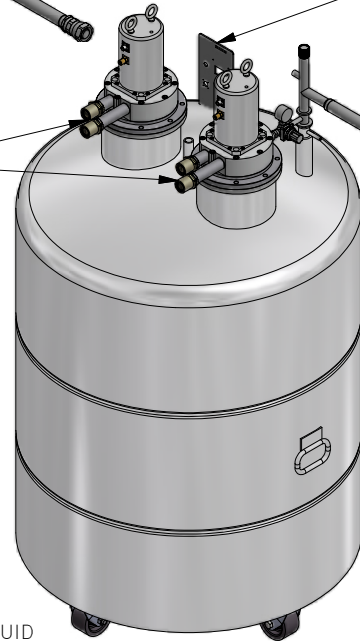
A

A

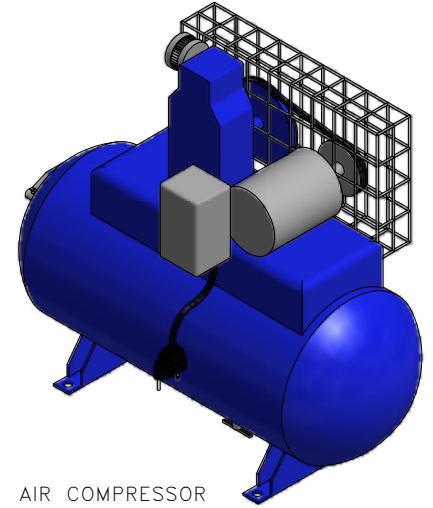
2X AL600 COLDHEADS

(B)

COLD HEAD MOTOR CORD
(SAME LENGTH AS FLEX LINES)



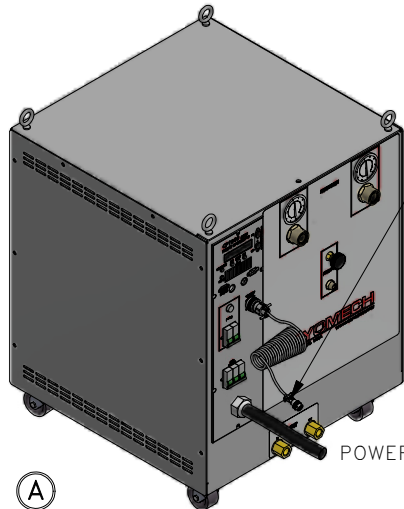
500 LITER LIQUID NITROGEN DEWAR ASSEMBLY



AIR COMPRESSOR
(OPTIONAL)

A

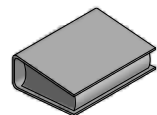
A



CP1114 COMPRESSOR PACKAGE
(WATER COOLED ONLY)

POWER CORD

(A)



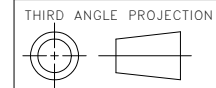
MANUAL



TOOL KIT



1 YEAR SPARE PARTS



THIRD ANGLE PROJECTION

CRYOMECH, INC
113 FALSO DRIVE SYRACUSE, N.Y. 13211
Tel: (315)455-2555 Fax:(315)455-2544

ALL DIMENSIONS ARE IN INCHES
TOLERANCES: FRACTIONS ±1/32 DECIMALS XXX=±.005 XX=±.01 X=±.1
ANGLES ±.5° ALLOVER FINISH 25 Ra
CONCENTRICITY .005 TOTAL INDICATOR RUN OUT
PERPENDICULAR ±.002 (UNLESS OTHERWISE SPECIFIED)

NAME: LNP240 LIQUID NITROGEN PLANT
DWG #: LNP240 SYSTEM SHT 1 OF 1
MATERIAL: AS STATED

ECN	ZONE	REV	DESCRIPTION	DATE
2949	A2	B	AL600 COLDHEAD REDESIGNED	30OCT12
2927	A2B2	A	CP1114 COMPRESSORS WERE CP1014	27SEP12

DWN BY: BMR DATE: 25OCT11 SCALE: TO FIT DWG SIZE: A
1ST CHK: NLO DATE: 26OCT11 2ND CHK: MS DATE: 27OCT11
CUST: BTA: