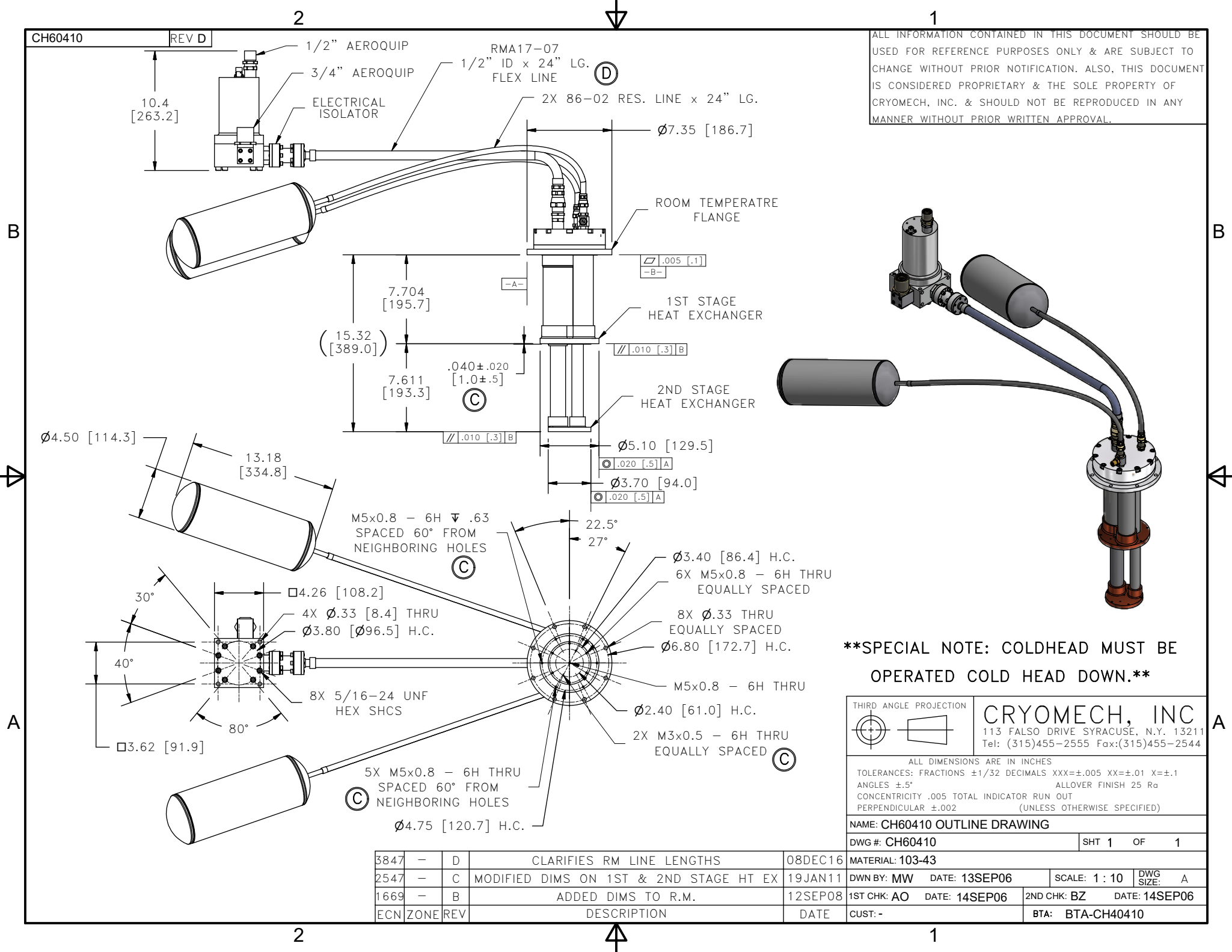


CH60410 REV D

ALL INFORMATION CONTAINED IN THIS DOCUMENT SHOULD BE USED FOR REFERENCE PURPOSES ONLY & ARE SUBJECT TO CHANGE WITHOUT PRIOR NOTIFICATION. ALSO, THIS DOCUMENT IS CONSIDERED PROPRIETARY & THE SOLE PROPERTY OF CRYOMECH, INC. & SHOULD NOT BE REPRODUCED IN ANY MANNER WITHOUT PRIOR WRITTEN APPROVAL.



**\*\*SPECIAL NOTE: COLDHEAD MUST BE OPERATED COLD HEAD DOWN.\*\***

THIRD ANGLE PROJECTION		<b>CRYOMECH, INC</b> 113 FALSO DRIVE SYRACUSE, N.Y. 13211 Tel: (315)455-2555 Fax:(315)455-2544

ALL DIMENSIONS ARE IN INCHES  
 TOLERANCES: FRACTIONS ±1/32 DECIMALS XXX=±.005 XX=±.01 X=±.1  
 ANGLES ±.5° ALLOVER FINISH 25 Ra  
 CONCENTRICITY .005 TOTAL INDICATOR RUN OUT  
 PERPENDICULAR ±.002 (UNLESS OTHERWISE SPECIFIED)

NAME: CH60410 OUTLINE DRAWING			
DWG #: CH60410		SHT 1 OF 1	
MATERIAL: 103-43			
DWN BY: MW	DATE: 13SEP06	SCALE: 1:10	DWG SIZE: A
1ST CHK: AO	DATE: 14SEP06	2ND CHK: BZ	DATE: 14SEP06
CUST: -		BTA: BTA-CH40410	

ECN	ZONE	REV	DESCRIPTION	DATE
3847	-	D	CLARIFIES RM LINE LENGTHS	08DEC16
2547	-	C	MODIFIED DIMS ON 1ST & 2ND STAGE HT EX	19JAN11
1669	-	B	ADDED DIMS TO R.M.	12SEP08