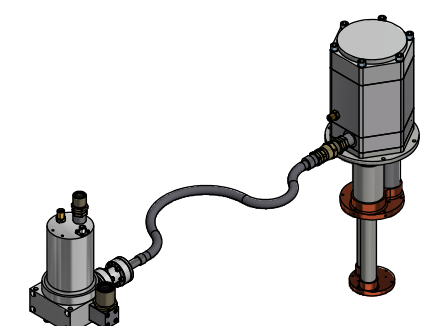
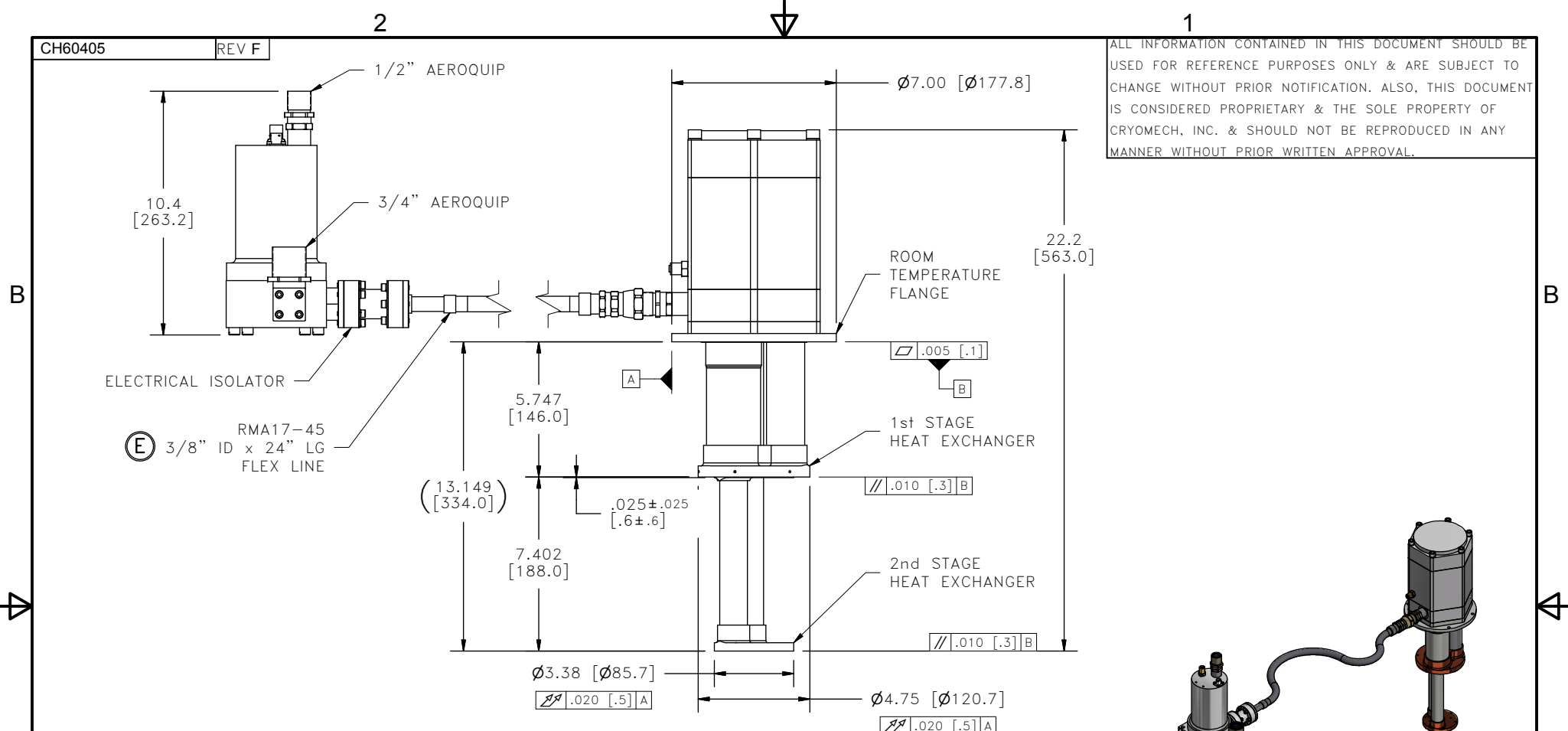
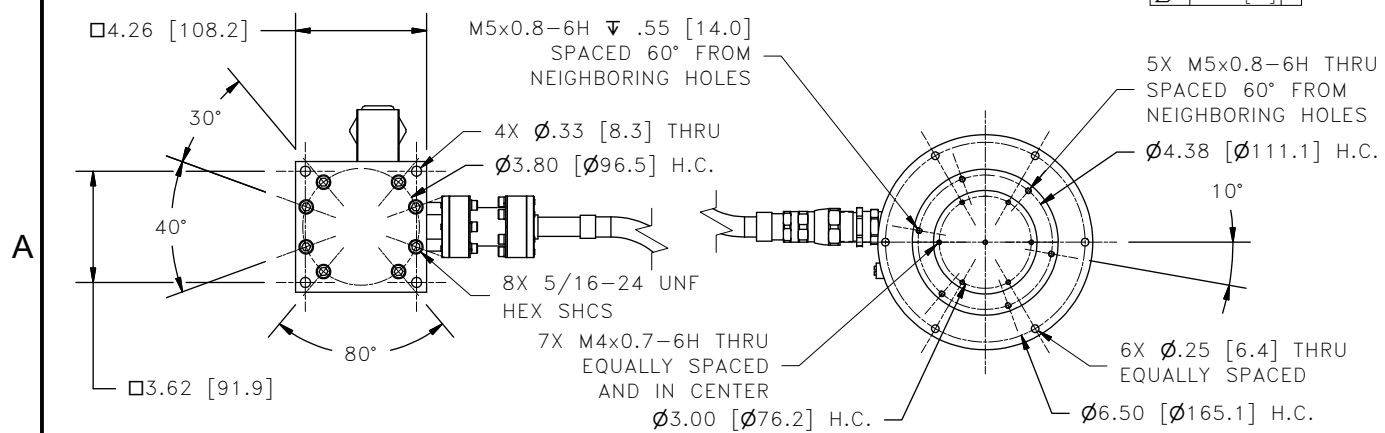


ALL INFORMATION CONTAINED IN THIS DOCUMENT SHOULD BE USED FOR REFERENCE PURPOSES ONLY & ARE SUBJECT TO CHANGE WITHOUT PRIOR NOTIFICATION. ALSO, THIS DOCUMENT IS CONSIDERED PROPRIETARY & THE SOLE PROPERTY OF CRYOMECH, INC. & SHOULD NOT BE REPRODUCED IN ANY MANNER WITHOUT PRIOR WRITTEN APPROVAL.



****SPECIAL NOTE: COLDHEAD MUST BE OPERATED COLD END DOWN****



THIRD ANGLE PROJECTION	CRYOMECH, INC		
	113 FALSO DRIVE SYRACUSE, N.Y. 13211 Tel: (315)455-2555 Fax:(315)455-2544		
ALL DIMENSIONS ARE IN INCHES TOLERANCES: FRACTIONS $\pm 1/32$ DECIMALS $XXX = \pm .005$ $XX = \pm .01$ $X = \pm .1$ ANGLES $\pm .5^\circ$ ALLOVER FINISH 25 Ra CONCENTRICITY $.005$ TOTAL INDICATOR RUN OUT PERPENDICULAR $\pm .002$ (UNLESS OTHERWISE SPECIFIED)			
NAME: PT405-RM COLDHEAD OUTLINE			
DWG #: CH60405		SHT 1 OF 1	
MATERIAL: 103-31			
DWN BY: KDJ DATE: 17MAR04		SCALE: .16	DWG SIZE: A
1ST CHK: CW DATE: 23MAR04		2ND CHK: BZ DATE: 23MAR04	
CUST: -		BTA: BTA-CH40405/407	

ECN	ZONE	REV	DESCRIPTION	DATE
4067	-	F	REDESIGNED WITH 1-PIECE HEAT EXCHANGER	12SEP17
3847	-	E	CLARIFIES RM LINE LENGTHS	22NOV16
2673	-	D	UPDATED BTA: RESURRECT 4pc 1st STAGE HT EX	19AUG11