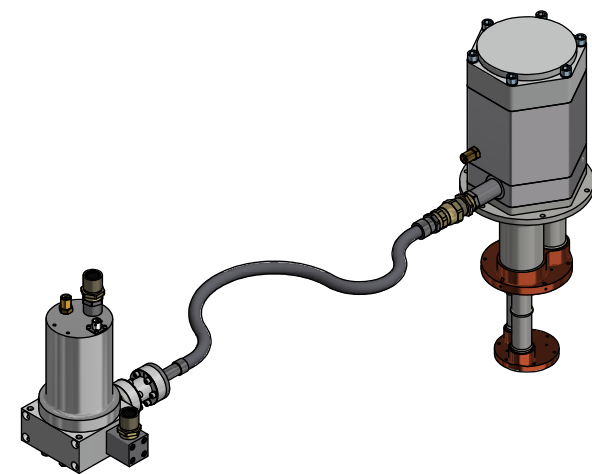
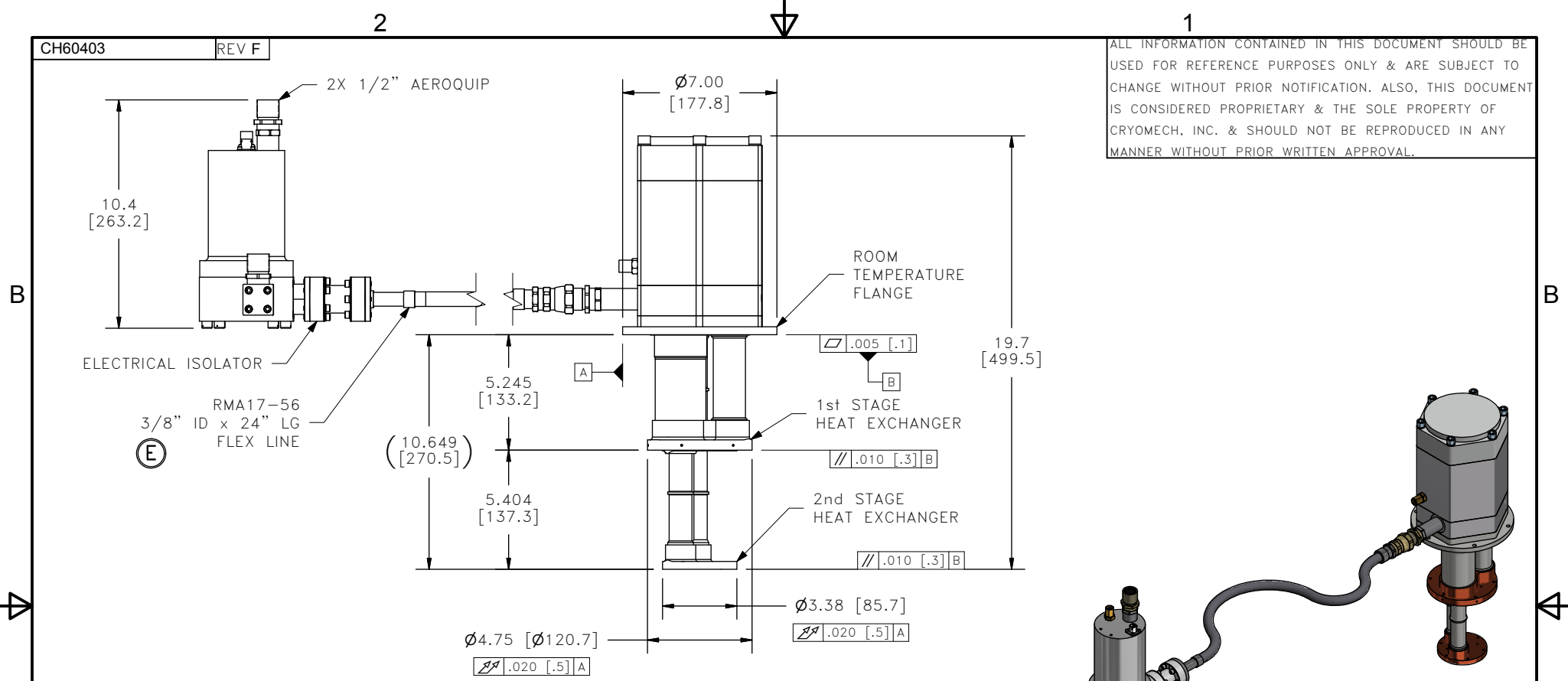


ALL INFORMATION CONTAINED IN THIS DOCUMENT SHOULD BE USED FOR REFERENCE PURPOSES ONLY & ARE SUBJECT TO CHANGE WITHOUT PRIOR NOTIFICATION. ALSO, THIS DOCUMENT IS CONSIDERED PROPRIETARY & THE SOLE PROPERTY OF CRYOMECH, INC. & SHOULD NOT BE REPRODUCED IN ANY MANNER WITHOUT PRIOR WRITTEN APPROVAL.



****SPECIAL NOTE: COLDHEAD MUST BE OPERATED COLD END DOWN****

THIS SUPERSEDES CH60403Y07

THIRD ANGLE PROJECTION	CRYOMECH, INC 113 FALSO DRIVE SYRACUSE, N.Y. 13211 Tel: (315)455-2555 Fax:(315)455-2544

ALL DIMENSIONS ARE IN INCHES
 TOLERANCES: FRACTIONS $\pm 1/32$ DECIMALS XXX= ± 0.005 XX= ± 0.01 X= ± 0.1
 ANGLES $\pm 5^\circ$ ALLOVER FINISH 25 Ra
 CONCENTRICITY .005 TOTAL INDICATOR RUN OUT
 PERPENDICULAR ± 0.02 (UNLESS OTHERWISE SPECIFIED)

NAME: PT403-RM COLDHEAD OUTLINE	
DWG #: CH60403	SHT 1 OF 1
MATERIAL: 103-29	
DWN BY: BMR DATE: 01JUN06	SCALE: .150 DWG SIZE: A
1ST CHK: BZ DATE: 06JUN06	2ND CHK: JC DATE: 06JUN06
CUST: -	BTA: BTA-CH40403W02 (D)

ECN	ZONE	REV	DESCRIPTION	DATE
4067	-	F	REDESIGNED WITH 1-PIECE HEAT EXCHANGER	01SEP17
3847	-	E	CLARIFIES RM LINE LENGTHS	16NOV16
3343	-	D	BTA-CH40403W02 WAS BTA-CH40403	19MAY14