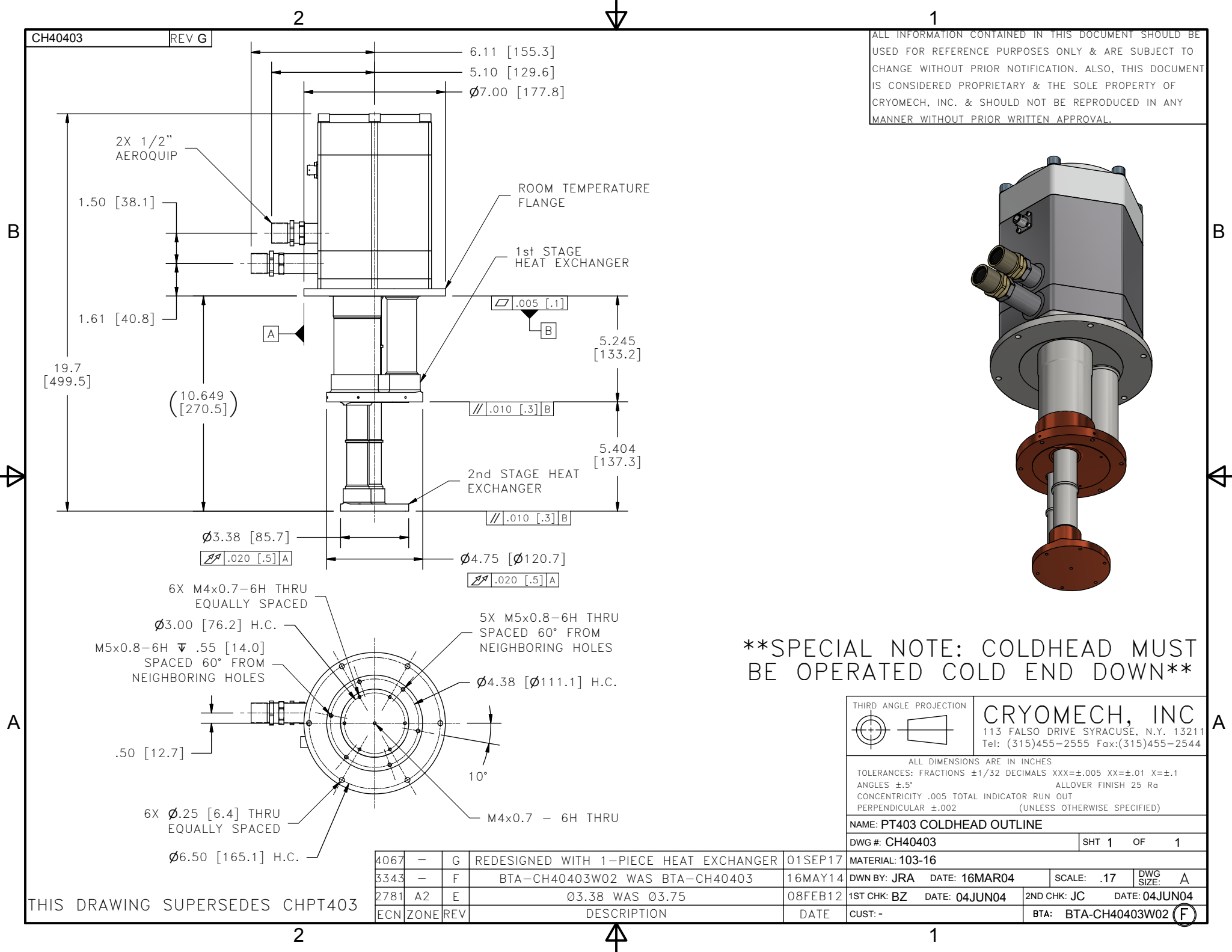


CH40403 REV G

ALL INFORMATION CONTAINED IN THIS DOCUMENT SHOULD BE USED FOR REFERENCE PURPOSES ONLY & ARE SUBJECT TO CHANGE WITHOUT PRIOR NOTIFICATION. ALSO, THIS DOCUMENT IS CONSIDERED PROPRIETARY & THE SOLE PROPERTY OF CRYOMECH, INC. & SHOULD NOT BE REPRODUCED IN ANY MANNER WITHOUT PRIOR WRITTEN APPROVAL.



**\*\*SPECIAL NOTE: COLDHEAD MUST BE OPERATED COLD END DOWN\*\***

THIRD ANGLE PROJECTION

**CRYOMECH, INC**  
 113 FALSO DRIVE SYRACUSE, N.Y. 13211  
 Tel: (315)455-2555 Fax:(315)455-2544

ALL DIMENSIONS ARE IN INCHES  
 TOLERANCES: FRACTIONS ±1/32 DECIMALS XXX=±.005 XX=±.01 X=±.1  
 ANGLES ±.5° ALLOVER FINISH 25 Ra  
 CONCENTRICITY .005 TOTAL INDICATOR RUN OUT  
 PERPENDICULAR ±.002 (UNLESS OTHERWISE SPECIFIED)

NAME: PT403 COLDHEAD OUTLINE			
DWG #: CH40403		SHT 1 OF 1	
MATERIAL: 103-16			
DWN BY: JRA	DATE: 16MAR04	SCALE: .17	DWG SIZE: A
1ST CHK: BZ	DATE: 04JUN04	2ND CHK: JC	DATE: 04JUN04
CUST: -		BTA: BTA-CH40403W02 (F)	

ECN	ZONE	REV	DESCRIPTION	DATE
4067	-	G	REDESIGNED WITH 1-PIECE HEAT EXCHANGER	01SEP17
3343	-	F	BTA-CH40403W02 WAS BTA-CH40403	16MAY14
2781	A2	E	Ø3.38 WAS Ø3.75	08FEB12

THIS DRAWING SUPERSEDES CHPT403