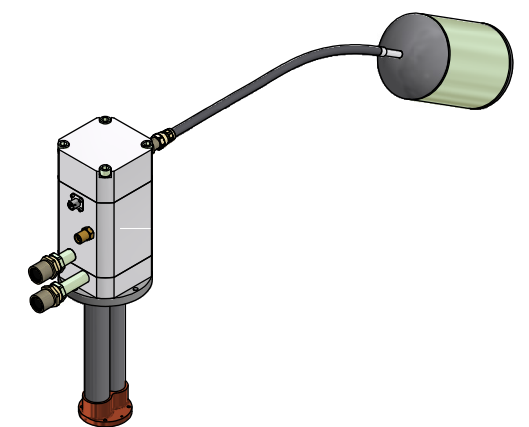
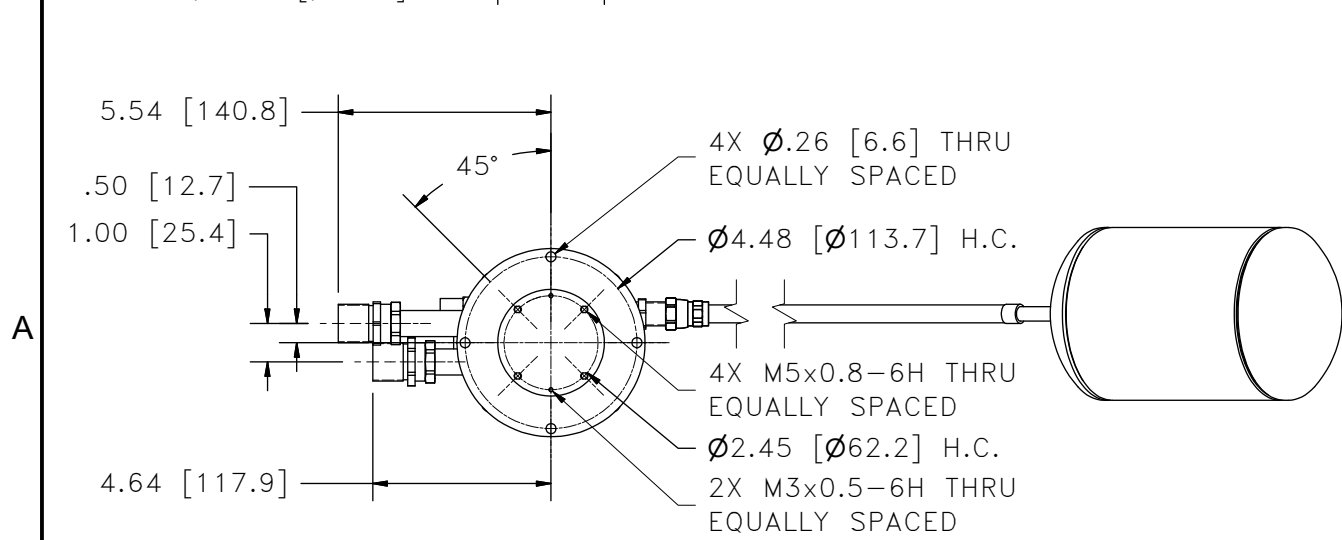
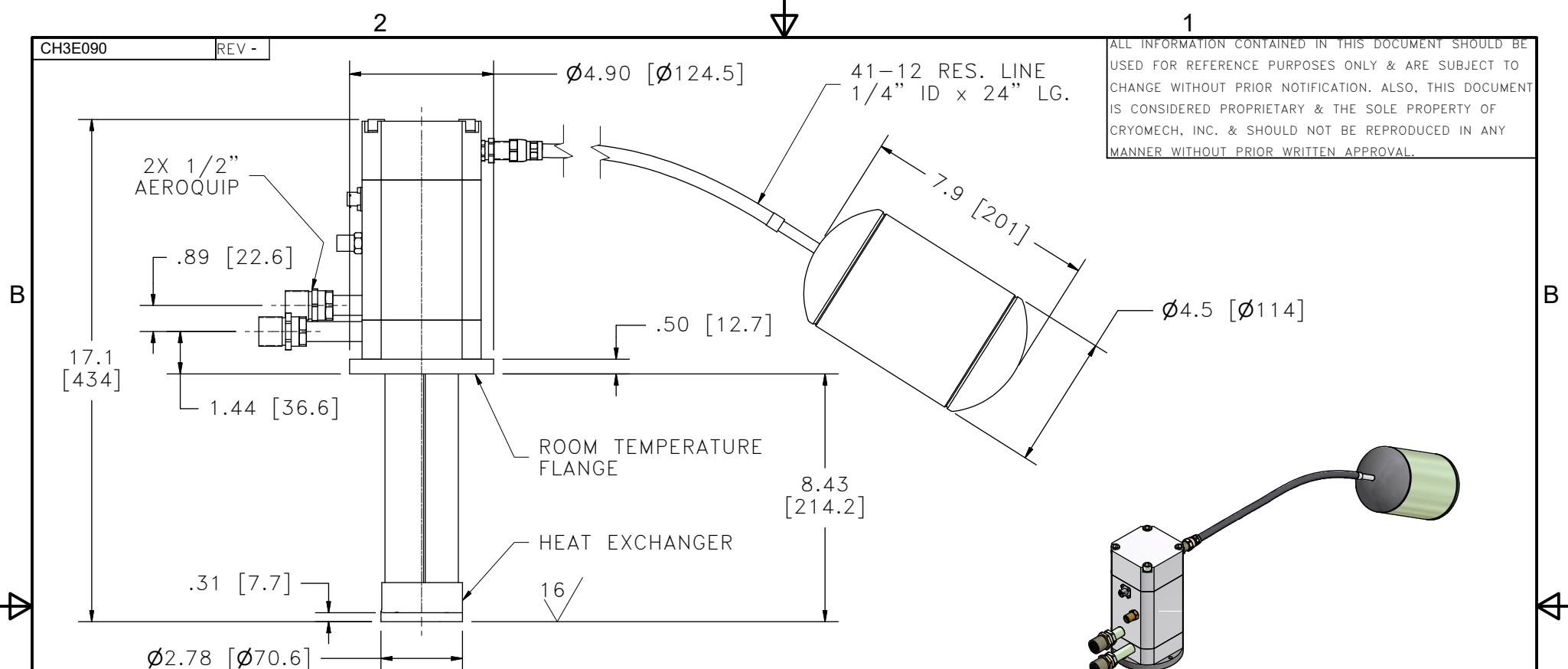


ALL INFORMATION CONTAINED IN THIS DOCUMENT SHOULD BE USED FOR REFERENCE PURPOSES ONLY & ARE SUBJECT TO CHANGE WITHOUT PRIOR NOTIFICATION. ALSO, THIS DOCUMENT IS CONSIDERED PROPRIETARY & THE SOLE PROPERTY OF CRYOMECH, INC. & SHOULD NOT BE REPRODUCED IN ANY MANNER WITHOUT PRIOR WRITTEN APPROVAL.



****SPECIAL NOTE: COLDHEAD MUST BE OPERATED COLD END DOWN****

THIRD ANGLE PROJECTION		CRYOMECH, INC	
		113 FALSO DRIVE SYRACUSE, N.Y. 13211 Tel: (315)455-2555 Fax:(315)455-2544	
ALL DIMENSIONS ARE IN INCHES TOLERANCES: FRACTIONS ±1/32 DECIMALS XXX=±.005 XX=±.01 X=±.1 ANGLES ±.5° ALLOVER FINISH 25 Ra CONCENTRICITY .005 TOTAL INDICATOR RUN OUT PERPENDICULAR ±.002 (UNLESS OTHERWISE SPECIFIED)			
NAME: CH3E090 OUTLINE DRAWING			
DWG #: CH3E090		SHT 1 OF 1	
MATERIAL: 103-539			
DWN BY: CJS		DATE: 11DEC17	SCALE: 1/5
1ST CHK: EP		DATE: 19JAN18	DWG SIZE: A
2ND CHK: PB		DATE: 19JAN18	
CUST: -		BTA: BTA-CH30090	

THIS DRAWING
SUPERSEDES CH3C090

4123	-	-	INITIAL RELEASE	11DEC17
ECN	ZONE	REV	DESCRIPTION	DATE