

CH1C330 REV -

1
ALL INFORMATION CONTAINED IN THIS DOCUMENT SHOULD BE USED FOR REFERENCE PURPOSES ONLY & ARE SUBJECT TO CHANGE WITHOUT PRIOR NOTIFICATION. ALSO, THIS DOCUMENT IS CONSIDERED PROPRIETARY & THE SOLE PROPERTY OF CRYOMECH, INC. & SHOULD NOT BE REPRODUCED IN ANY MANNER WITHOUT PRIOR WRITTEN APPROVAL.

B

B

3/4" AEROQUIP

1.00 [25.4]

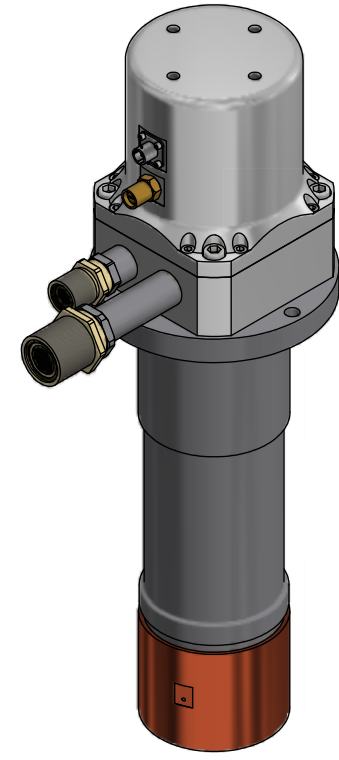
20.9 [531]

13.31 [338.0]

ROOM TEMPERATURE FLANGE

BARE COPPER HEAT EXCHANGER

Ø3.94 [Ø100.0]



A

A

7.19 [182.6]

1.62 [41.2]

.81 [20.6]

1/2" AEROQUIP

4.80 [121.9]

4X Ø.41 [10.4] THRU EQUALLY SPACED

Ø5.75 [Ø146.1] H.C.

45°

8X M6x1 - 6H ▽ .48 [12] EQUALLY SPACED

Ø3.38 [Ø85.7] H.C.

THIRD ANGLE PROJECTION

CRYOMECH, INC
113 FALSO DRIVE SYRACUSE, N.Y. 13211
Tel: (315)455-2555 Fax:(315)455-2544

ALL DIMENSIONS ARE IN INCHES
TOLERANCES: FRACTIONS ±1/32 DECIMALS XXX=±.005 XX=±.01 X=±.1
ANGLES ±.5° ALLOVER FINISH 25 Ra
CONCENTRICITY .005 TOTAL INDICATOR RUN OUT
PERPENDICULAR ±.002 (UNLESS OTHERWISE SPECIFIED)

NAME: CH1C330 COLDHEAD OUTLINE

DWG #: CH1C330 SHT 1 OF 1

MATERIAL: 103-394

DWN BY: MCJ DATE: 14APR16 SCALE: 1:5 DWG SIZE: A

1ST CHK: EP DATE: 22SEP16 2ND CHK: PB DATE: 22SEP16

CUST: - BTA: BTA-CH10330

THIS DRAWING SUPERCEDES CH10330

3742	-	-	INITIAL RELEASE	12MAY16
ECN	ZONE	REV	DESCRIPTION	DATE

2

A

1