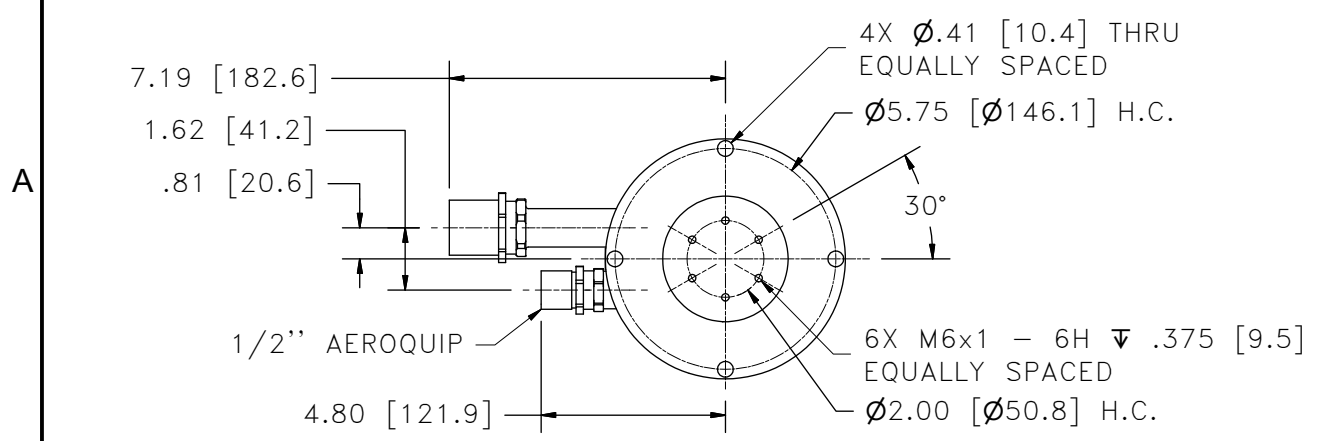
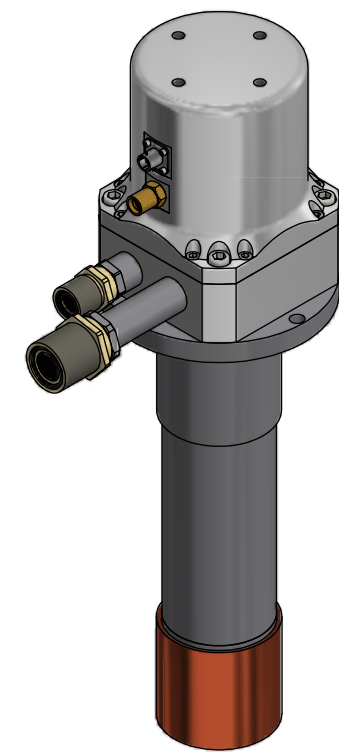
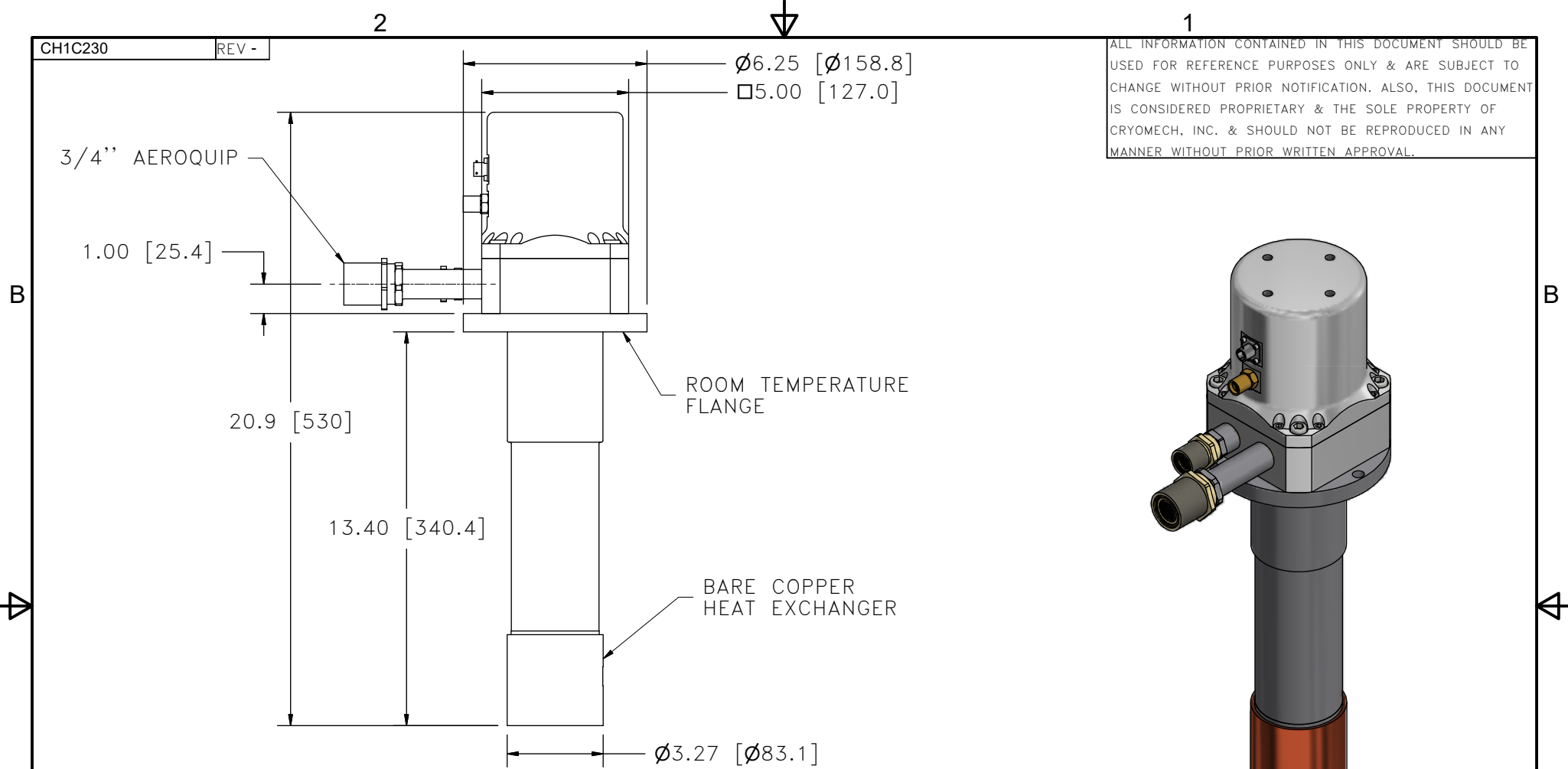


CH1C230 REV -

ALL INFORMATION CONTAINED IN THIS DOCUMENT SHOULD BE USED FOR REFERENCE PURPOSES ONLY & ARE SUBJECT TO CHANGE WITHOUT PRIOR NOTIFICATION. ALSO, THIS DOCUMENT IS CONSIDERED PROPRIETARY & THE SOLE PROPERTY OF CRYOMECH, INC. & SHOULD NOT BE REPRODUCED IN ANY MANNER WITHOUT PRIOR WRITTEN APPROVAL.



THIRD ANGLE PROJECTION		CRYOMECH, INC	
		113 FALSO DRIVE SYRACUSE, N.Y. 13211	
		Tel: (315)455-2555 Fax:(315)455-2544	
ALL DIMENSIONS ARE IN INCHES			
TOLERANCES: FRACTIONS ±1/32 DECIMALS .XXX±.005 XX±.01 X±.1			
ANGLES ±.5° ALLOVER FINISH 25 Ra			
CONCENTRICITY .005 TOTAL INDICATOR RUN OUT			
PERPENDICULAR ±.002 (UNLESS OTHERWISE SPECIFIED)			
NAME: CH1C230 OUTLINE DRAWING			
DWG #: CH1C230		SHT 1 OF 1	
MATERIAL: 103-377			
DWN BY: MCJ		DATE: 14APR16	SCALE: 1:5
		DWG SIZE: A	
1ST CHK: EP		DATE: 22SEP16	2ND CHK: PB
DATE: 22SEP16		DATE: 22SEP16	
CUST: -		BTA: BTA-CH1A230	

THIS DRAWING SUPERCEDES CH1A230

3742	-	-	INITIAL RELEASE	10MAY16
ECN	ZONE	REV	DESCRIPTION	DATE