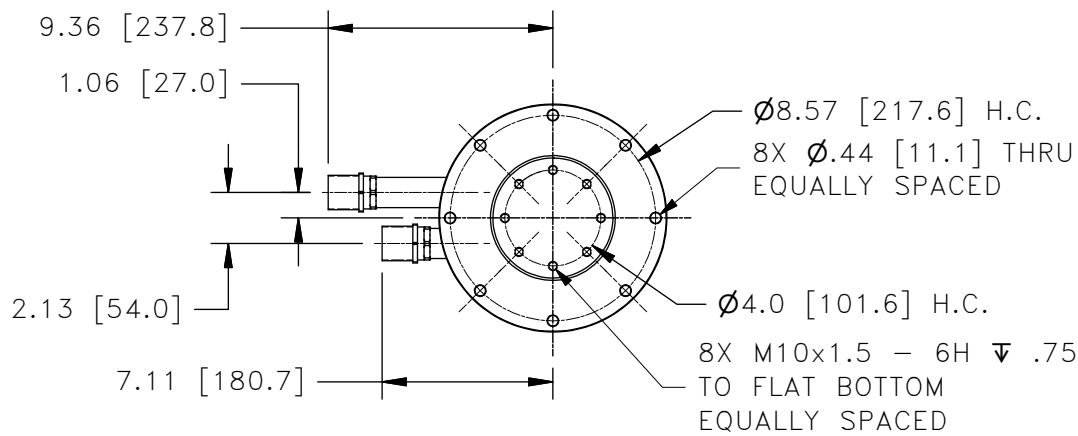
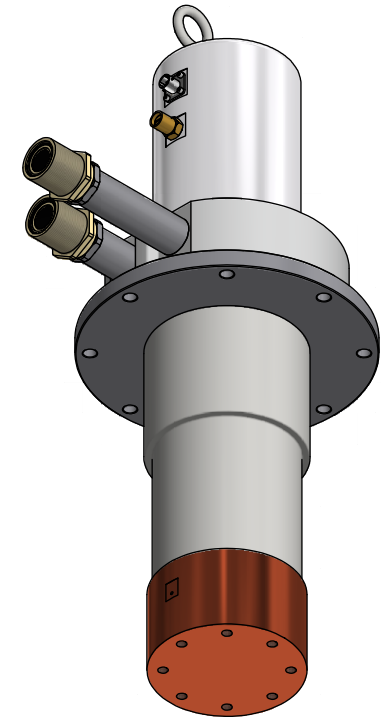
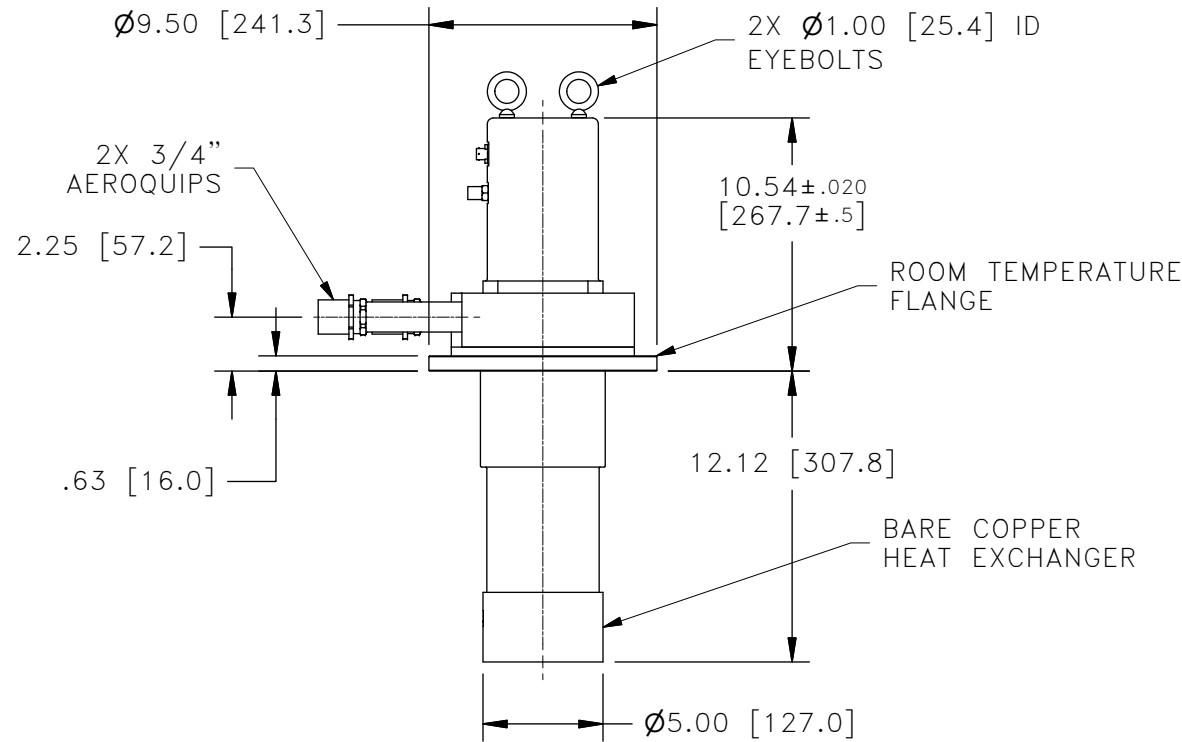


CH1A600 REV A

ALL INFORMATION CONTAINED IN THIS DOCUMENT SHOULD BE USED FOR REFERENCE PURPOSES ONLY & ARE SUBJECT TO CHANGE WITHOUT PRIOR NOTIFICATION. ALSO, THIS DOCUMENT IS CONSIDERED PROPRIETARY & THE SOLE PROPERTY OF CRYOMECH, INC. & SHOULD NOT BE REPRODUCED IN ANY MANNER WITHOUT PRIOR WRITTEN APPROVAL.



THIRD ANGLE PROJECTION				CRYOMECH, INC 113 FALSO DRIVE SYRACUSE, N.Y. 13211 Tel: (315)455-2555 Fax:(315)455-2544	
ALL DIMENSIONS ARE IN INCHES TOLERANCES: FRACTIONS $\pm 1/32$ DECIMALS XXX= $\pm .005$ XX= $\pm .01$ X= $\pm .1$ ANGLES $\pm .5^\circ$ ALLOVER FINISH 25 Ra CONCENTRICITY .005 TOTAL INDICATOR RUN OUT PERPENDICULAR $\pm .002$ (UNLESS OTHERWISE SPECIFIED)					
NAME: CH1A600 COLDHEAD OUTLINE					
DWG #: CH1A600				SHT 1 OF 1	
MATERIAL: 103-237					
DWN BY: ADF		DATE: 26OCT12		SCALE: 1/8	
1ST CHK: PB		DATE: 30OCT12		2ND CHK: NLO DATE: 30OCT12	
CUST: -				BTA: BTA-CH1A600	

THIS DRAWING
SUPERSEDES CH10600

3914	-	A	SEE ECN 3914	09FEB17
2771	-	-	INITIAL RELEASE	26OCT12
ECN	ZONE	REV	DESCRIPTION	DATE