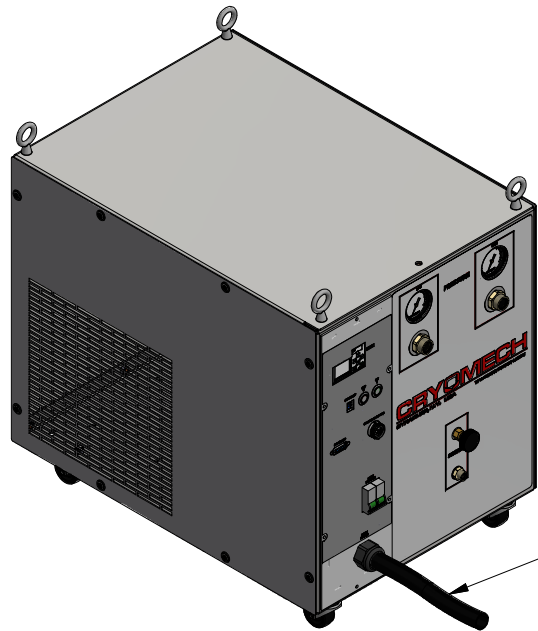
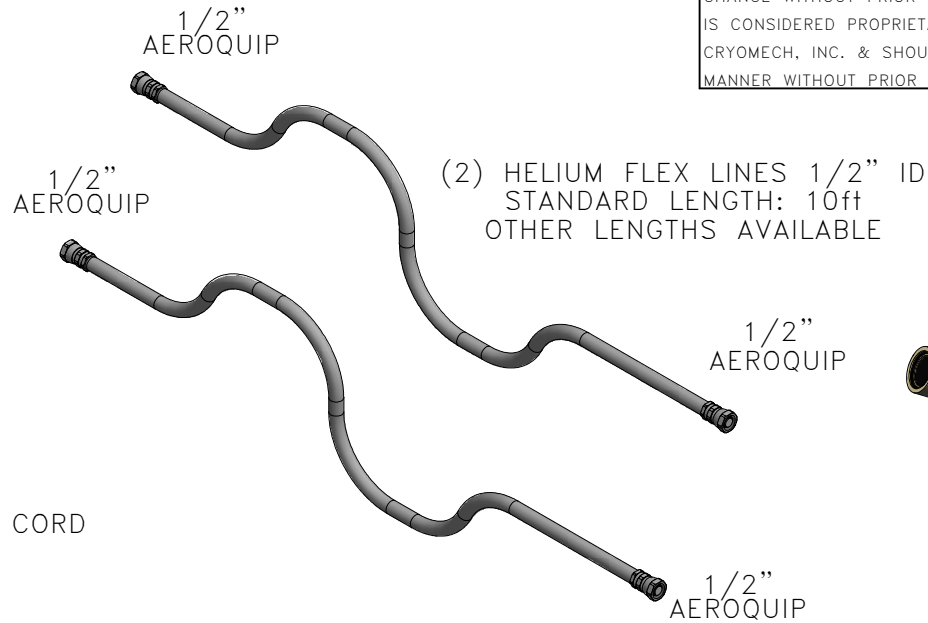


ALL INFORMATION CONTAINED IN THIS DOCUMENT SHOULD BE USED FOR REFERENCE PURPOSES ONLY & ARE SUBJECT TO CHANGE WITHOUT PRIOR NOTIFICATION. ALSO, THIS DOCUMENT IS CONSIDERED PROPRIETARY & THE SOLE PROPERTY OF CRYOMECH, INC. & SHOULD NOT BE REPRODUCED IN ANY MANNER WITHOUT PRIOR WRITTEN APPROVAL.

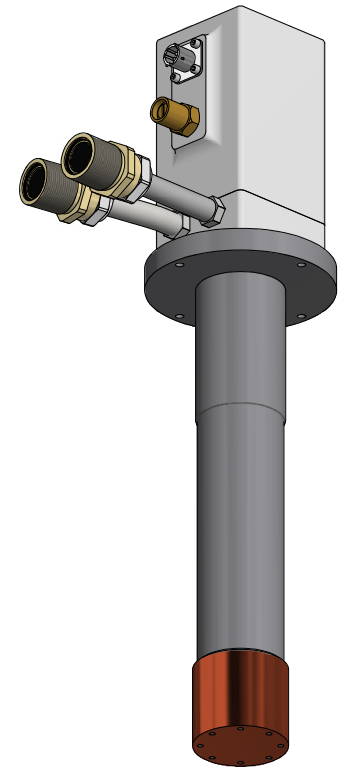


CP103 COMPRESSOR PACKAGE (AIR COOLED)

POWER CORD



COLDHEAD MOTOR CORD (SAME LENGTH AS FLEX LINES)

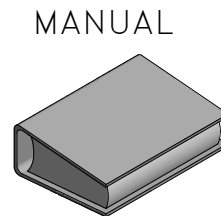


AL63 COLD HEAD



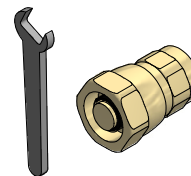
CP103 COMPRESSOR PACKAGE (WATER COOLED)

POWER CORD

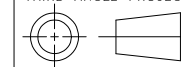


MANUAL

TOOL KIT



THIRD ANGLE PROJECTION



CRYOMECH, INC

113 FALSO DRIVE SYRACUSE, N.Y. 13211
Tel: (315)455-2555 Fax:(315)455-2544

ALL DIMENSIONS ARE IN INCHES
TOLERANCES: FRACTIONS ±1/32 DECIMALS XXX=±.005 XX =±.01
ANGLES ±.5° ALLOVER FINISH 25 Ra
CONCENTRICITY .005 TOTAL INDICATOR RUN OUT
PERPENDICULAR ±.002 (UNLESS OTHERWISE SPECIFIED)

NAME: AL63 CRYOREFRIGERATOR

DWG #: AL63 SYSTEM

SHT 1 OF 1

MATERIAL: AS STATED

DWN BY: BL DATE: 19JUL04

SCALE: TO FIT

DWG SIZE: A

1ST CHK: RED DATE: 03AUG04

2ND CHK: JPC DATE: 03AUG04

CUST:

BTA: BTA-AL63

ECN	ZONE	REV	DESCRIPTION	DATE
3940	-	B	CP100 COMPRESSORS REPLACE CP800's	16MAR17
599	-	A	CHANGED FROM 2-D TO 3-D	28JUL04