

ALL INFORMATION CONTAINED IN THIS DOCUMENT SHOULD BE USED FOR REFERENCE PURPOSES ONLY & ARE SUBJECT TO CHANGE WITHOUT PRIOR NOTIFICATION. ALSO, THIS DOCUMENT IS CONSIDERED PROPRIETARY & THE SOLE PROPERTY OF CRYOMECH, INC. & SHOULD NOT BE REPRODUCED IN ANY MANNER WITHOUT PRIOR WRITTEN APPROVAL.

- (2) LOW NOISE HELIUM FLEX LINES
- (A) STANDARD LENGTH: 10 ft
- OTHER LENGTHS AVAILABLE

3/4" AEROQUIP

3/4" AEROQUIP

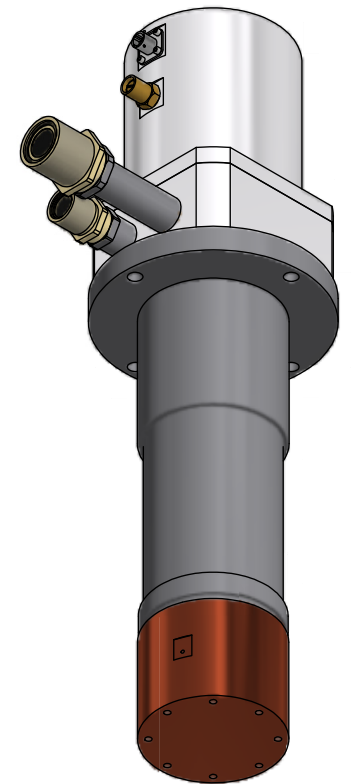
1" ID

3/4" ID

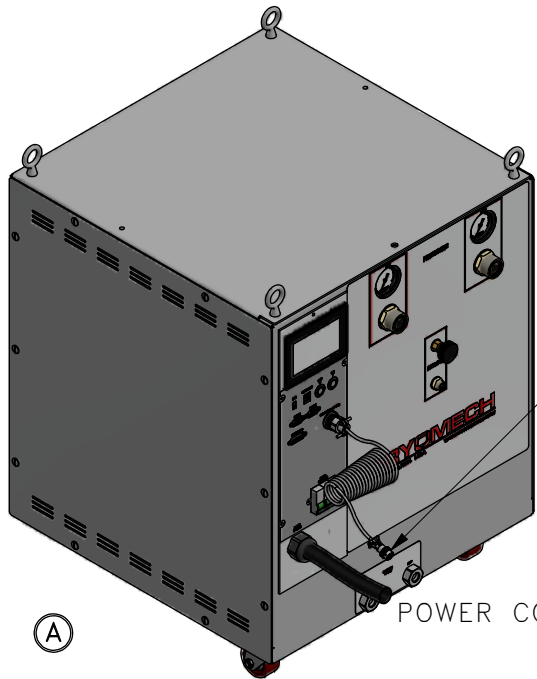
3/4" AEROQUIP

1/2" AEROQUIP

COLD HEAD MOTOR CORD
(SAME LENGTH AS FLEX LINES)



AL325 COLD HEAD

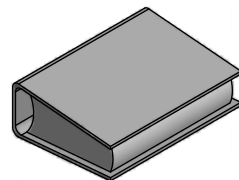


CPA1110 COMPRESSOR PACKAGE
(WATER COOLED)

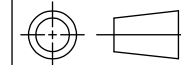
POWER CORD

MANUAL

TOOL KIT



THIRD ANGLE PROJECTION



CRYOMECH, INC

113 FALSO DRIVE SYRACUSE, N.Y. 13211
Tel: (315)455-2555 Fax:(315)455-2544

ALL DIMENSIONS ARE IN INCHES
TOLERANCES: FRACTIONS ±1/32 DECIMALS XXX=±.005 XX=±.01 X=±.1
ANGLES ±.5° ALLOVER FINISH 25 Ra
CONCENTRICITY .005 TOTAL INDICATOR RUN OUT
PERPENDICULAR ±.002 (UNLESS OTHERWISE SPECIFIED)

NAME: AL325 CPA1110 CRYOREFRIGERATOR

DWG #: AL325 CPA1110 SYSTEM

SHT 1 OF 1

MATERIAL: AS STATED

3745	-	A	UPDATED COMPRESSOR PACKAGE	25MAY16
2630	-	-	INITIAL RELEASE	13JUN11
ECN	ZONE	REV	DESCRIPTION	DATE

DWN BY: BMR DATE: 13JUN11

SCALE: TO FIT

DWG SIZE: A

1ST CHK: BS DATE: 17JUN11

2ND CHK: PB DATE: 17JUN11

CUST: -

BTA: -