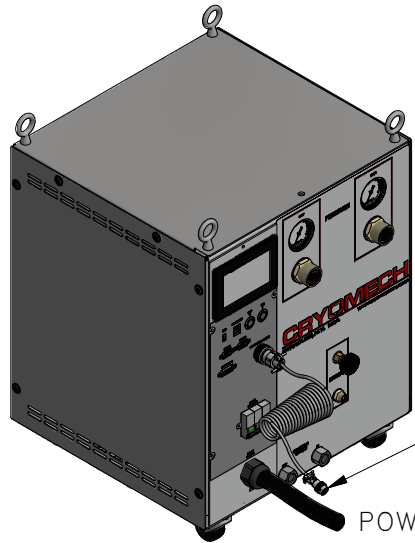


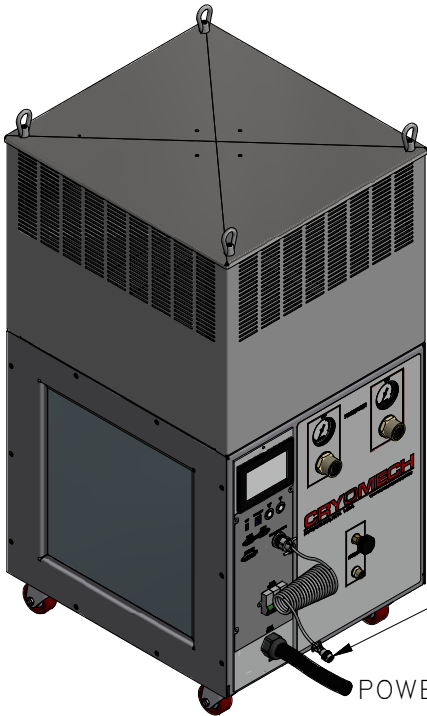
ALL INFORMATION CONTAINED IN THIS DOCUMENT SHOULD BE USED FOR REFERENCE PURPOSES ONLY & ARE SUBJECT TO CHANGE WITHOUT PRIOR NOTIFICATION. ALSO, THIS DOCUMENT IS CONSIDERED PROPRIETARY & THE SOLE PROPERTY OF CRYOMECH, INC. & SHOULD NOT BE REPRODUCED IN ANY MANNER WITHOUT PRIOR WRITTEN APPROVAL.



COLD HEAD MOTOR CORD (SAME LENGTH AS FLEX LINES)

POWER CORD

CPA2850 COMPRESSOR PACKAGE (WATER COOLED)



COLD HEAD MOTOR CORD (SAME LENGTH AS FLEX LINES)

POWER CORD

CPA2850 COMPRESSOR PACKAGE (AIR COOLED)

3/4" AEROQUIP

3/4" AEROQUIP

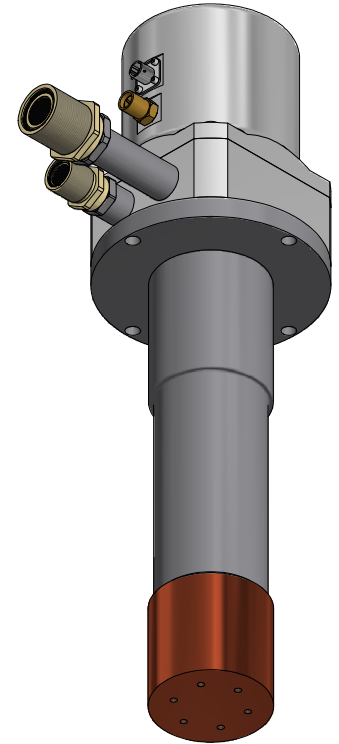
(2) HELIUM FLEX LINES
STANDARD LENGTH: 10ft
OTHER LENGTHS AVAILABLE

1/2" ID

3/4" ID

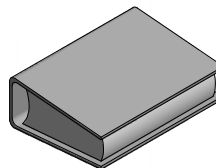
1/2" AEROQUIP

3/4" AEROQUIP

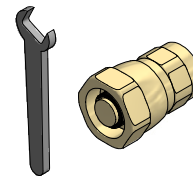


AL230 COLD HEAD

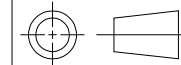
MANUAL



TOOL KIT



THIRD ANGLE PROJECTION



CRYOMECH, INC

113 FALSO DRIVE SYRACUSE, N.Y. 13211
Tel: (315)455-2555 Fax:(315)455-2544

ALL DIMENSIONS ARE IN INCHES
TOLERANCES: FRACTIONS ±1/32 DECIMALS XXX=±.005 XX=±.01 X=±.1
ANGLES ±.5° ALLOVER FINISH 25 Ra
CONCENTRICITY .005 TOTAL INDICATOR RUN OUT
PERPENDICULAR ±.002 (UNLESS OTHERWISE SPECIFIED)

NAME: AL230 CPA2800 CRYOREFRIGERATOR

DWG #: AL230 CPA2800 SYSTEM

SHT 1 OF 1

MATERIAL: AS STATED

DWN BY: CJS DATE: 28NOV16

SCALE: TO FIT

DWG SIZE: A

1ST CHK: EP DATE: 08DEC16

2ND CHK: PB DATE: 08DEC16

CUST: -

BTA: -

3873	-	-
ECN	ZONE	REV

INITIAL RELEASE
DESCRIPTION

28NOV16
DATE