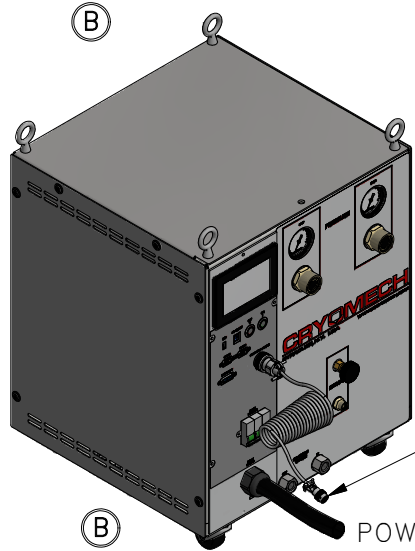
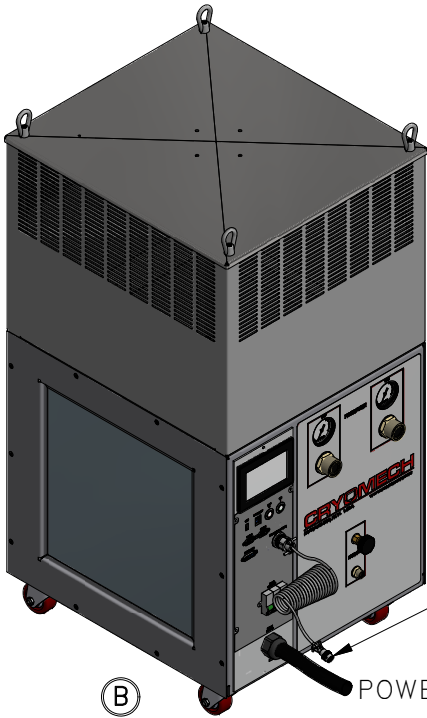


ALL INFORMATION CONTAINED IN THIS DOCUMENT SHOULD BE USED FOR REFERENCE PURPOSES ONLY & ARE SUBJECT TO CHANGE WITHOUT PRIOR NOTIFICATION. ALSO, THIS DOCUMENT IS CONSIDERED PROPRIETARY & THE SOLE PROPERTY OF CRYOMECH, INC. & SHOULD NOT BE REPRODUCED IN ANY MANNER WITHOUT PRIOR WRITTEN APPROVAL.



CPA2850 COMPRESSOR PACKAGE (WATER COOLED)



CPA2850 COMPRESSOR PACKAGE (AIR COOLED)

COLD HEAD MOTOR CORD (SAME LENGTH AS FLEX LINES)

POWER CORD

COLD HEAD MOTOR CORD (SAME LENGTH AS FLEX LINES)

POWER CORD

3/4" AEROQUIP

3/4" AEROQUIP

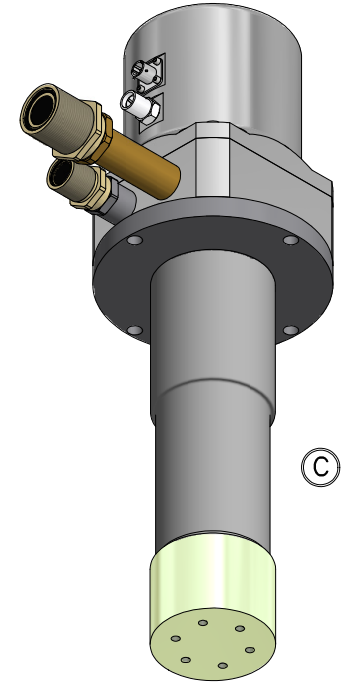
(2) HELIUM FLEX LINES STANDARD LENGTH: 10ft OTHER LENGTHS AVAILABLE

1/2" ID

3/4" ID

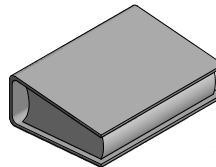
1/2" AEROQUIP

3/4" AEROQUIP

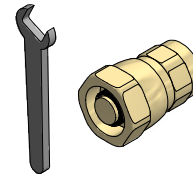


AL200 COLD HEAD

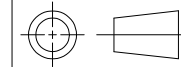
MANUAL



TOOL KIT



THIRD ANGLE PROJECTION



**CRYOMECH, INC**

113 FALSO DRIVE SYRACUSE, N.Y. 13211  
Tel: (315)455-2555 Fax:(315)455-2544

ALL DIMENSIONS ARE IN INCHES  
TOLERANCES: FRACTIONS ±1/32 DECIMALS XXX=±.005 XX=±.01 X=±.1  
ANGLES ±.5° ALLOVER FINISH 25 Ra  
CONCENTRICITY .005 TOTAL INDICATOR RUN OUT  
PERPENDICULAR ±.002 (UNLESS OTHERWISE SPECIFIED)

NAME: AL200 CPA2800 CRYOREFRIGERATOR

DWG #: AL200 CPA2800 SYSTEM SHT 1 OF 1

MATERIAL: AS STATED

DWN BY: BMR DATE: 06JAN09 SCALE: TO FIT DWG SIZE: A

1ST CHK: AO DATE: 14JAN09 2ND CHK: BZ DATE: 14JAN09

CUST: - BTA: -

ECN	ZONE	REV	DESCRIPTION	DATE
3873	-	C	UPDATED COLDHEAD	28NOV16
3745	-	B	UPDATED COMPRESSOR PACKAGES	26MAY16
3072	A2	A	ADDED AIR COOLED COMPRESSOR	08MAY13

2

1

2

1