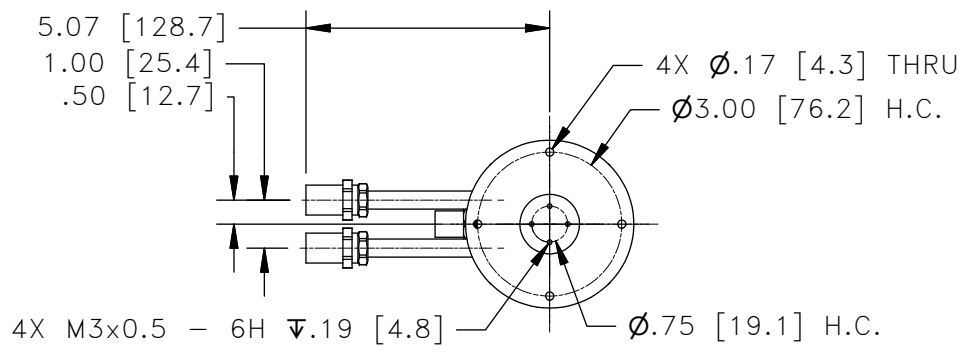
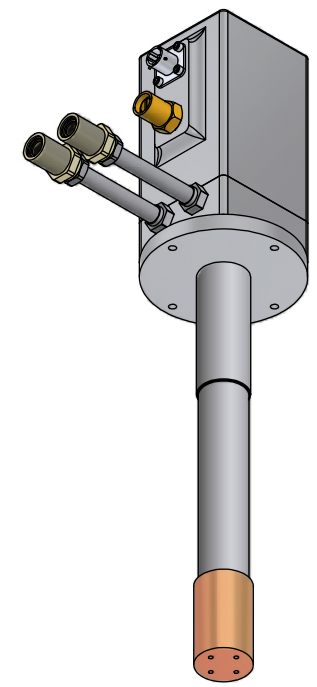
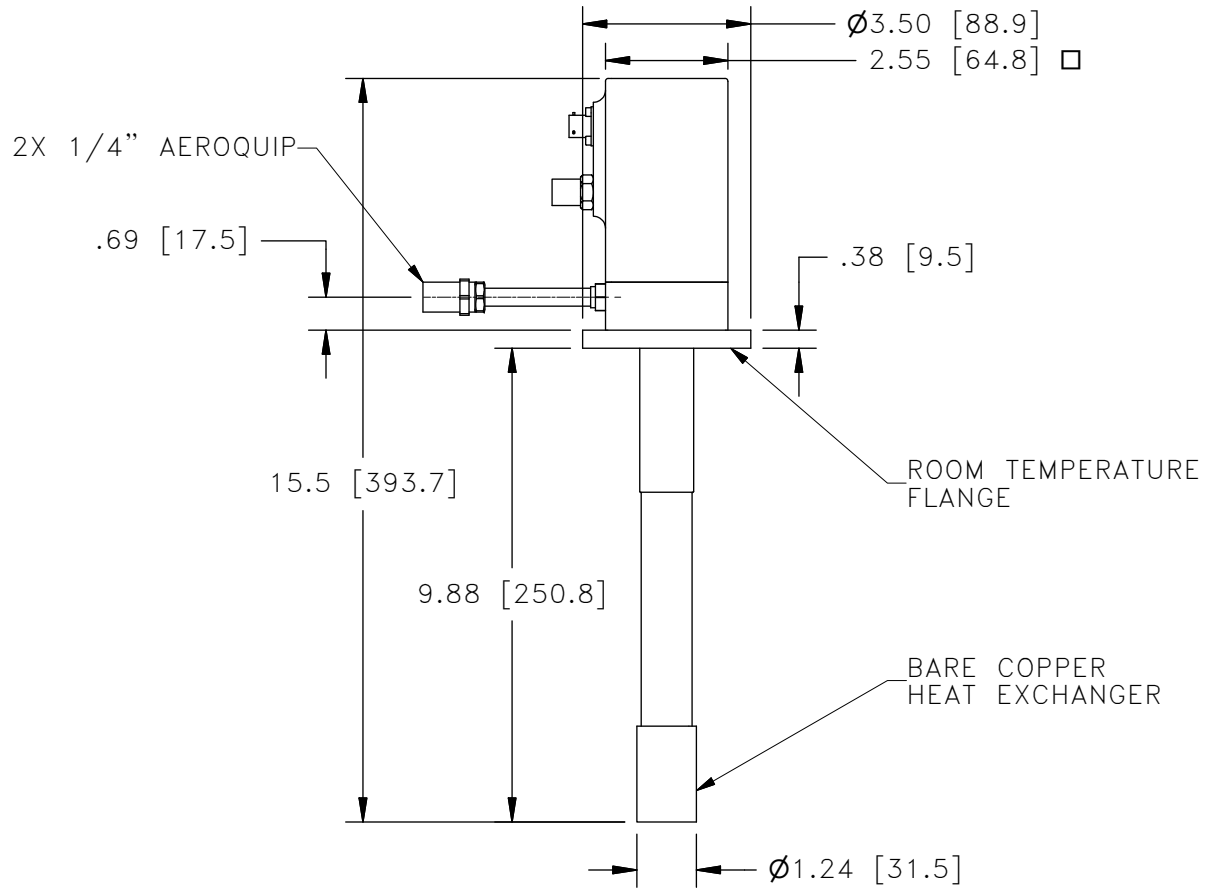


ALL INFORMATION CONTAINED IN THIS DOCUMENT SHOULD BE USED FOR REFERENCE PURPOSES ONLY & ARE SUBJECT TO CHANGE WITHOUT PRIOR NOTIFICATION. ALSO, THIS DOCUMENT IS CONSIDERED PROPRIETARY & THE SOLE PROPERTY OF CRYOMECH, INC. & SHOULD NOT BE REPRODUCED IN ANY MANNER WITHOUT PRIOR WRITTEN APPROVAL.



THIRD ANGLE PROJECTION

CRYOMECH, INC
 113 FALSO DRIVE SYRACUSE, N.Y. 13211
 Tel: (315)455-2555 Fax:(315)455-2544

ALL DIMENSIONS ARE IN INCHES
 TOLERANCES: FRACTIONS $\pm 1/32$ DECIMALS XXX= ± 0.05 XX= ± 0.01
 ANGLES $\pm .5^\circ$ ALLOVER FINISH 25 Ra
 CONCENTRICITY .005 TOTAL INDICATOR RUN OUT
 PERPENDICULAR $\pm .002$ (UNLESS OTHERWISE SPECIFIED)

NAME: AL10 COLDHEAD OUTLINE
 DWG #: CH10010 SHT 1 OF 1
 MATERIAL: 103-03
 DWN BY: FCJ DATE: 09JAN03 SCALE: 1:4 DWG SIZE: A
 1ST CHK: KAH DATE: 2ND CHK: RED DATE:
 CUST: BTA: BTA-CH10010

ECN	ZONE	REV	DESCRIPTION	DATE
2511	-	B	REMOVED PLATING	10AUG10
1369	-	A	ADDED SAFETY RELEIF VALVE	09APR07
1100	-	-	INITIAL RELEASE	25MAY06