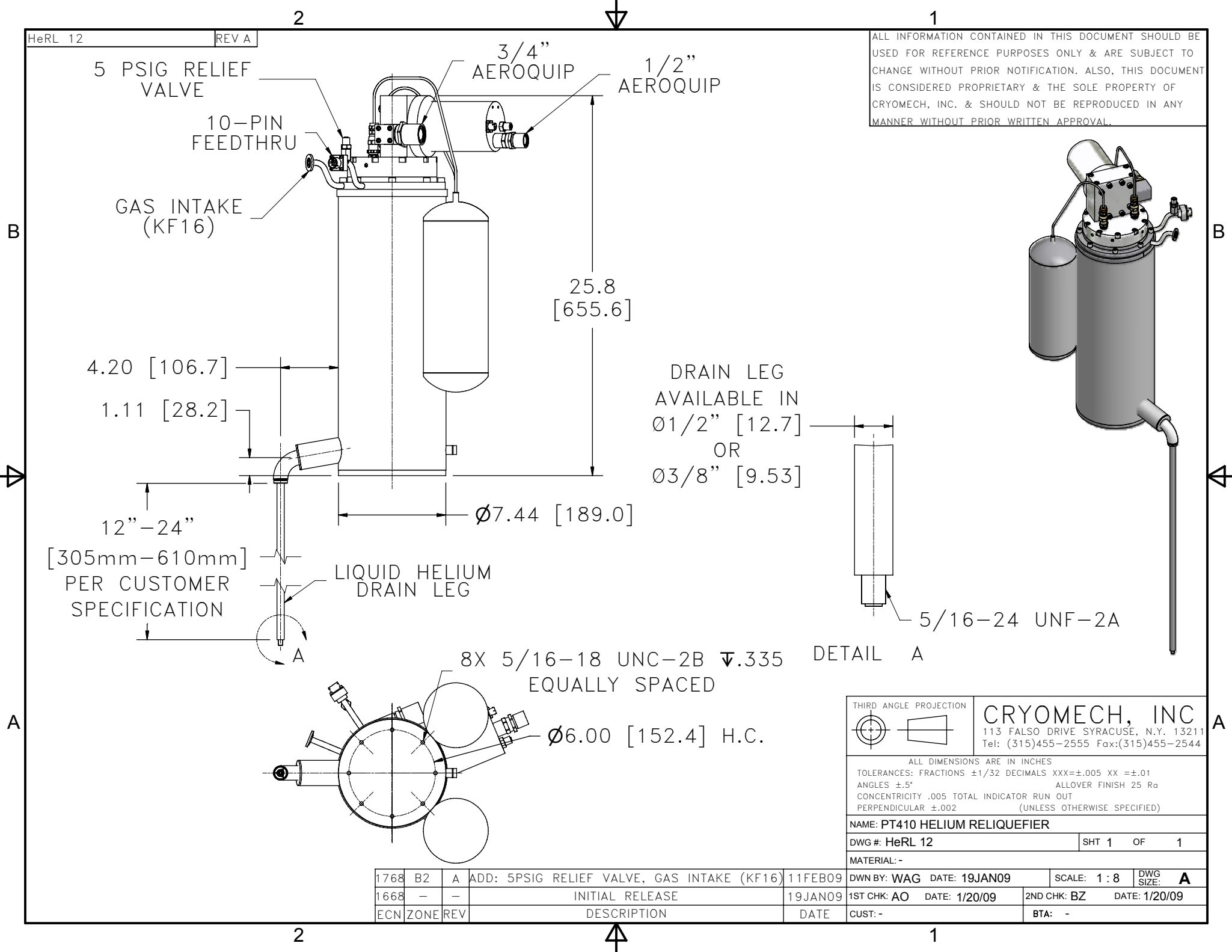


ALL INFORMATION CONTAINED IN THIS DOCUMENT SHOULD BE USED FOR REFERENCE PURPOSES ONLY & ARE SUBJECT TO CHANGE WITHOUT PRIOR NOTIFICATION. ALSO, THIS DOCUMENT IS CONSIDERED PROPRIETARY & THE SOLE PROPERTY OF CRYOMECH, INC. & SHOULD NOT BE REPRODUCED IN ANY MANNER WITHOUT PRIOR WRITTEN APPROVAL.



THIRD ANGLE PROJECTION		CRYOMECH, INC	
		113 FALSO DRIVE SYRACUSE, N.Y. 13211 Tel: (315)455-2555 Fax:(315)455-2544	
ALL DIMENSIONS ARE IN INCHES TOLERANCES: FRACTIONS ±1/32 DECIMALS XXX=±.005 XX =±.01 ANGLES ±.5° ALLOVER FINISH 25 Ra CONCENTRICITY .005 TOTAL INDICATOR RUN OUT PERPENDICULAR ±.002 (UNLESS OTHERWISE SPECIFIED)			
NAME: PT410 HELIUM RELIQUEFIER			
DWG #: HeRL 12		SHT 1 OF 1	
MATERIAL: -			
DWN BY: WAG DATE: 19JAN09		SCALE: 1:8 DWG SIZE: A	
1ST CHK: AO DATE: 1/20/09		2ND CHK: BZ DATE: 1/20/09	
CUST: -		BTA: -	

1768	B2	A	ADD: 5PSIG RELIEF VALVE, GAS INTAKE (KF16)	11FEB09
1668	-	-	INITIAL RELEASE	19JAN09
ECN	ZONE	REV	DESCRIPTION	DATE